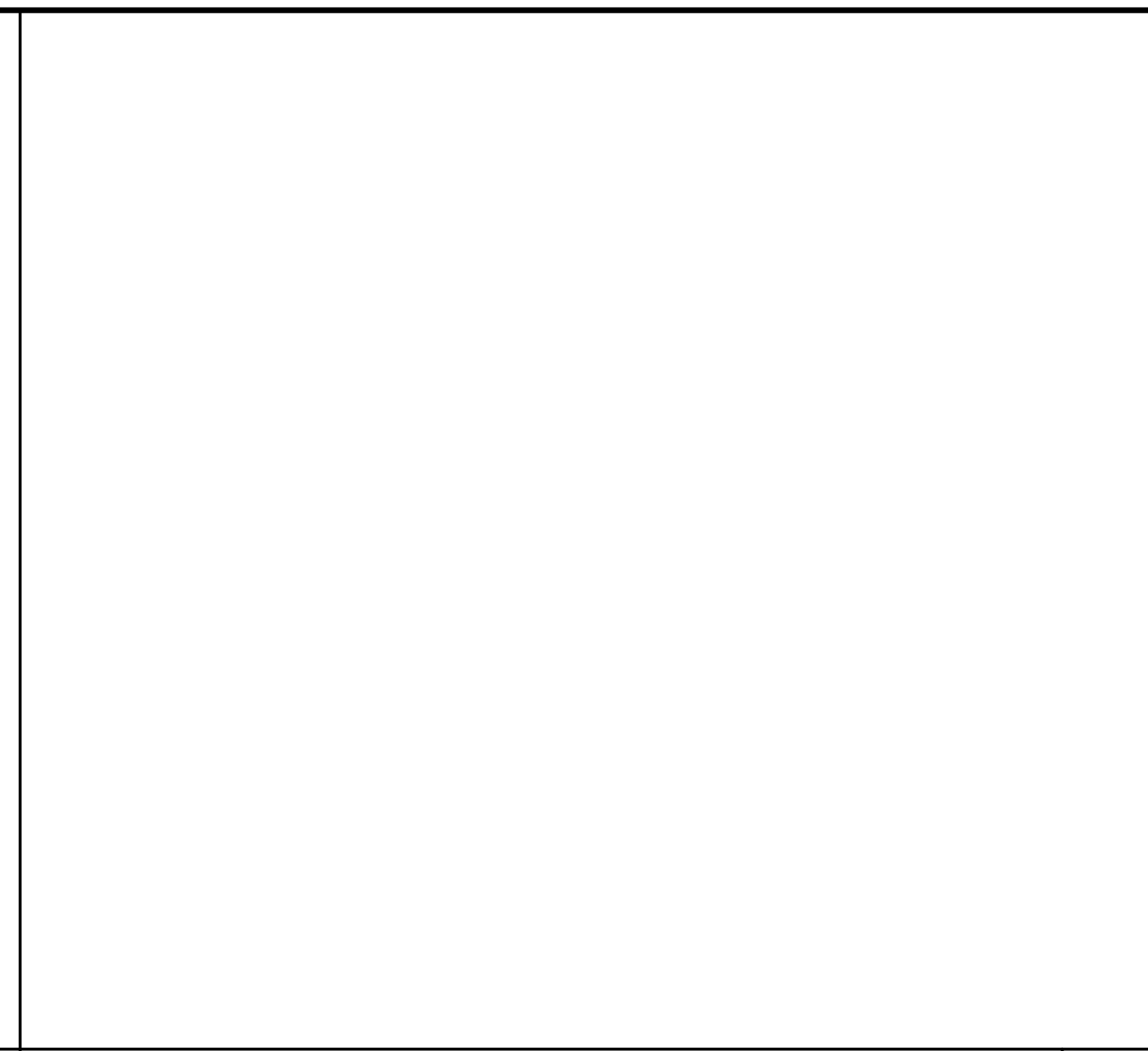
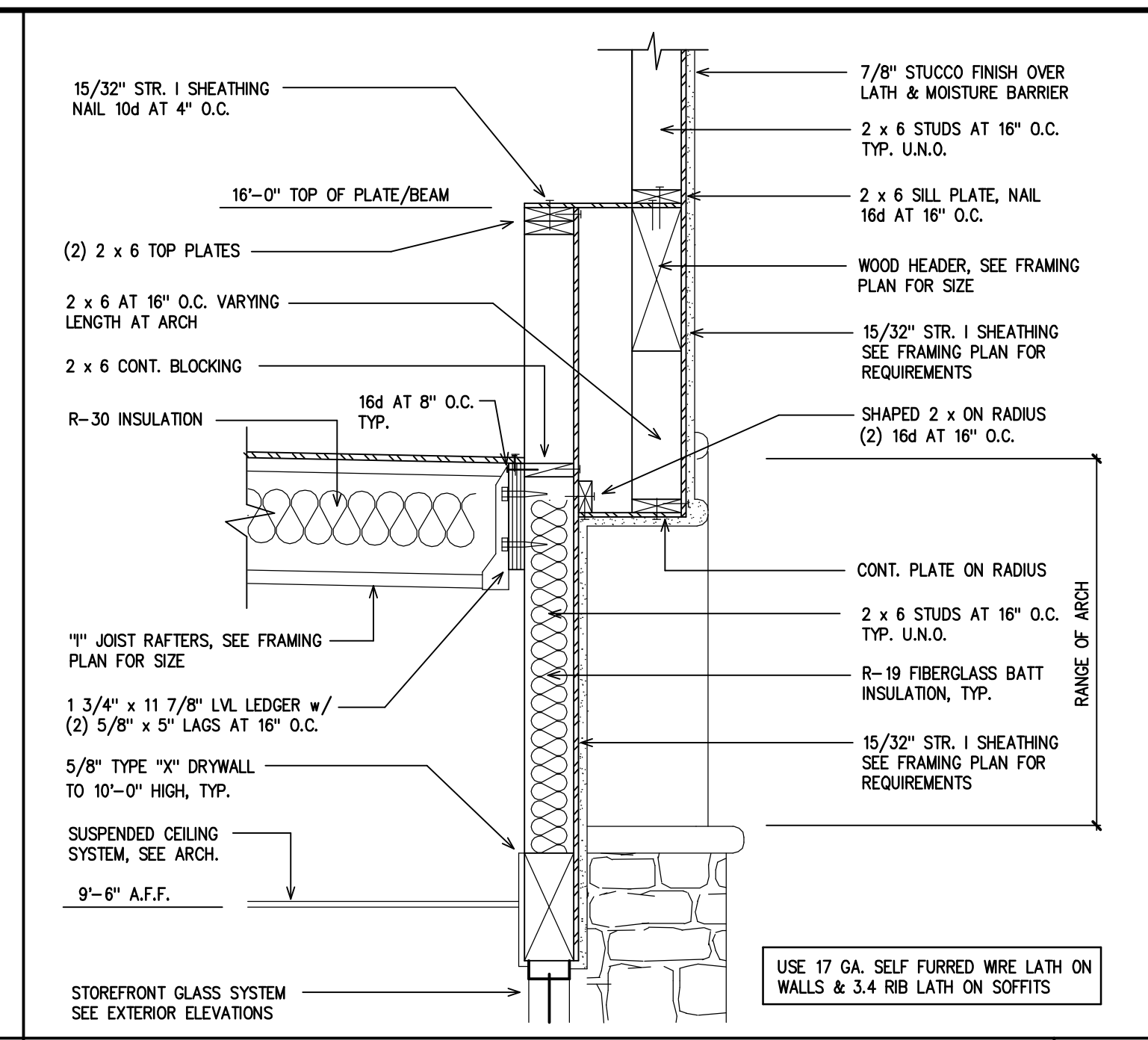


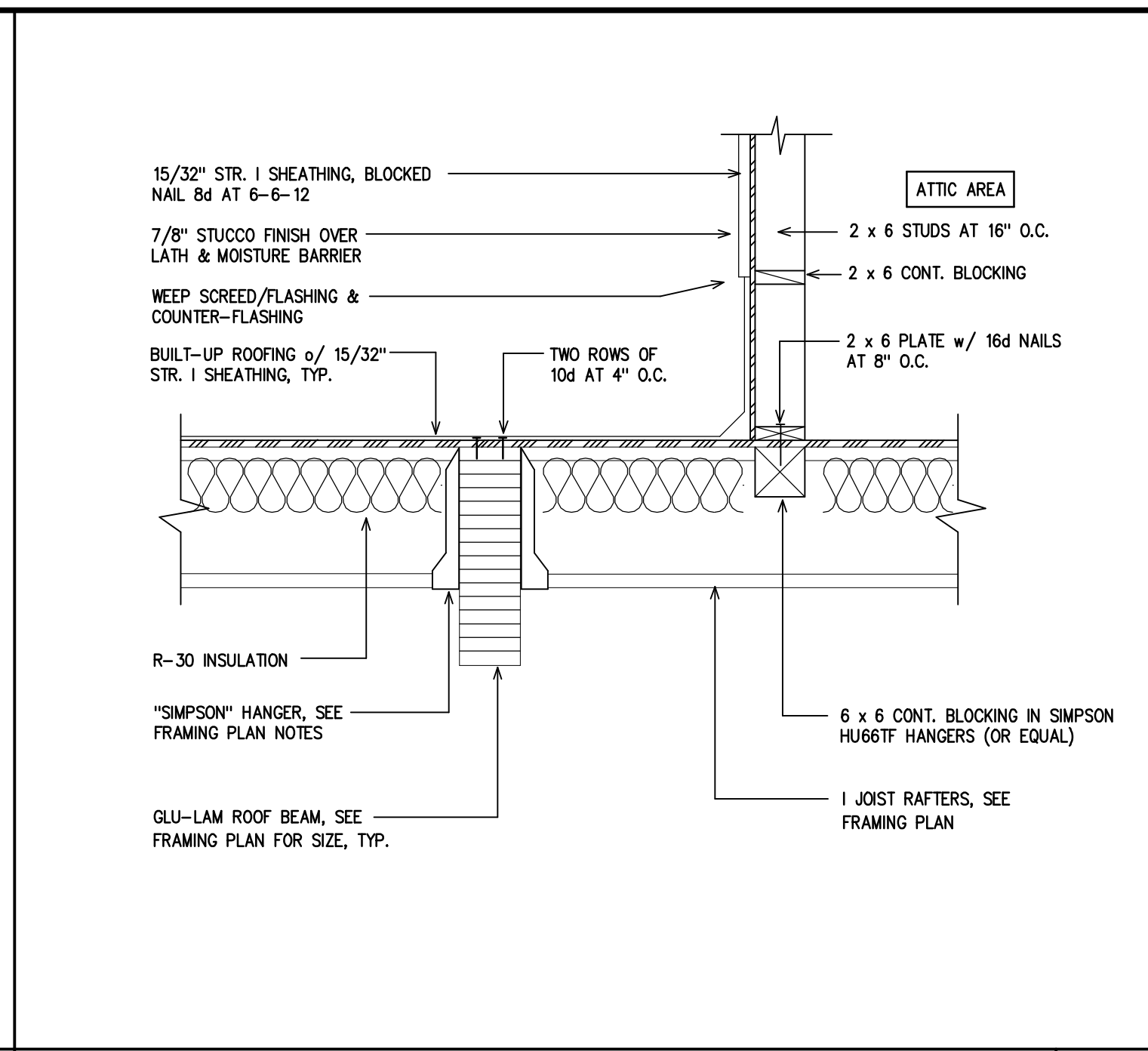
10



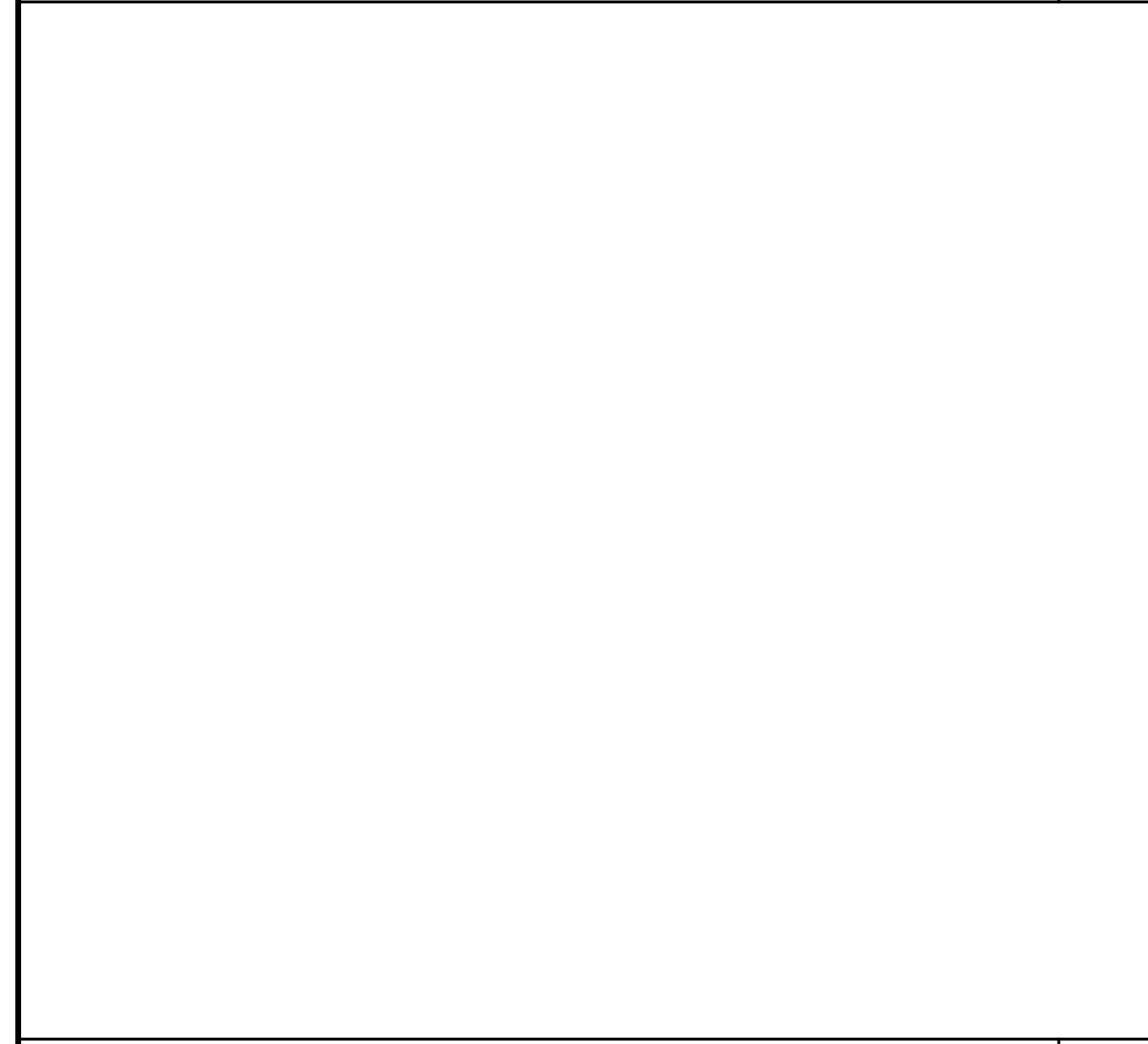
7



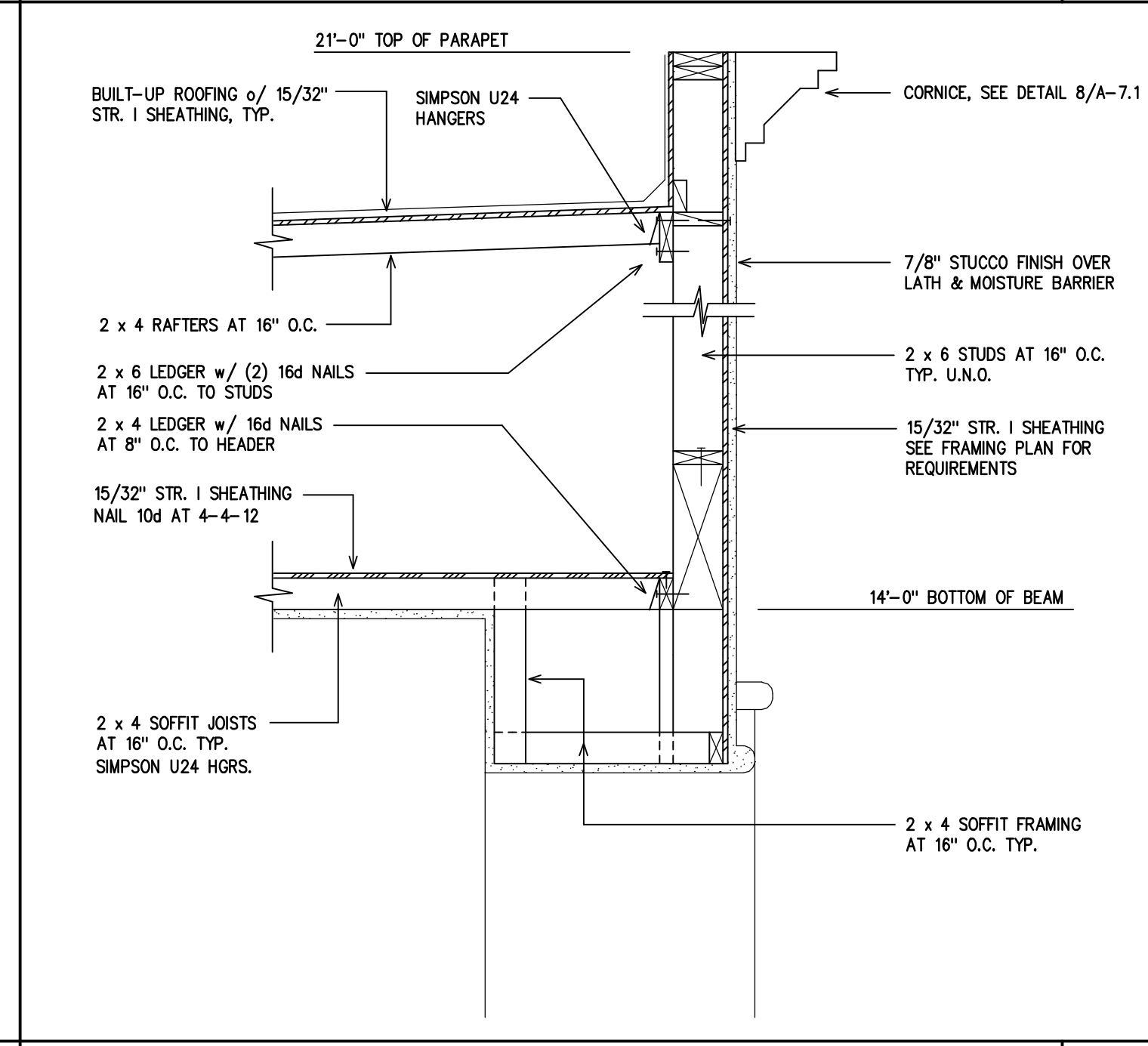
4



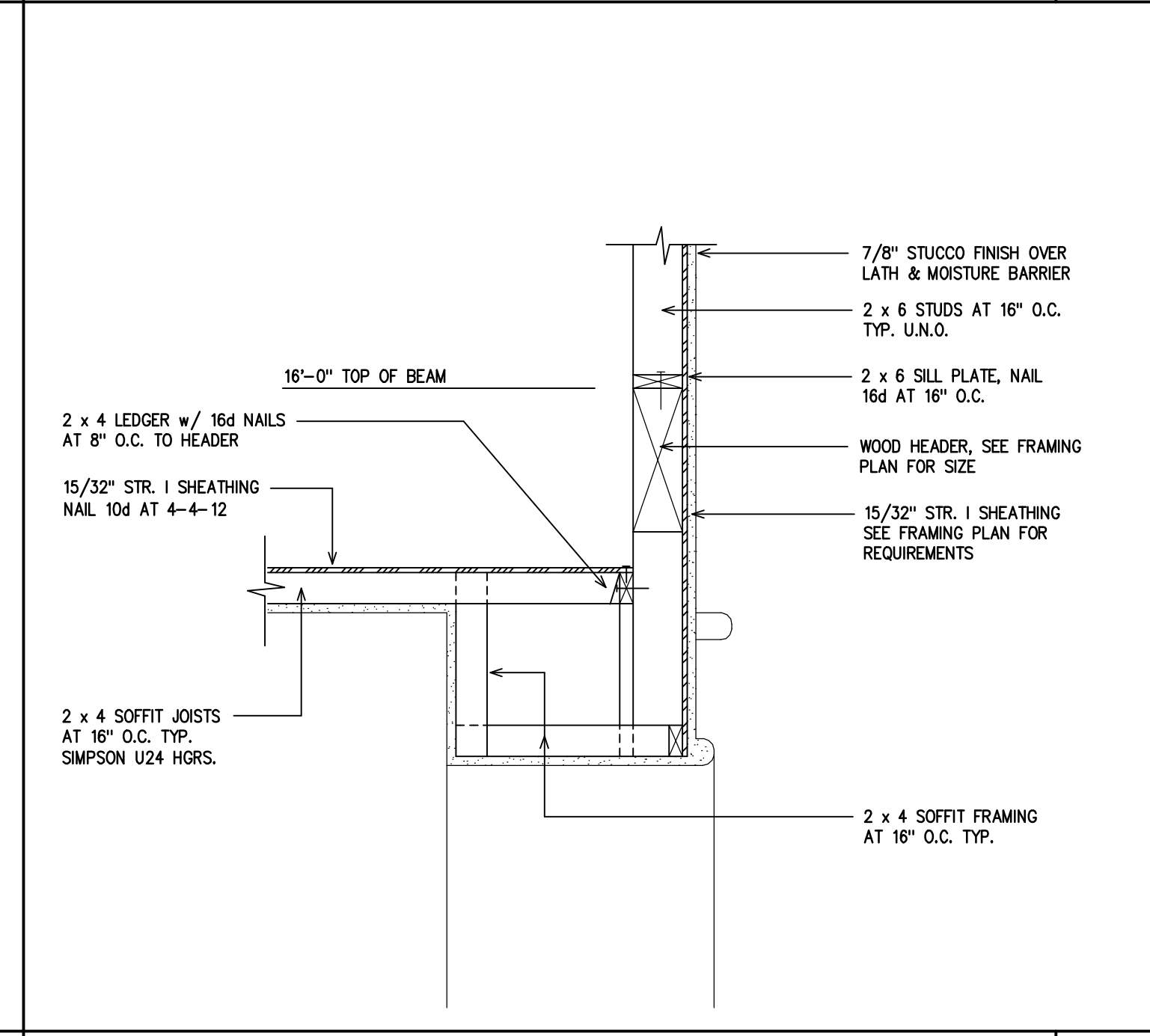
1



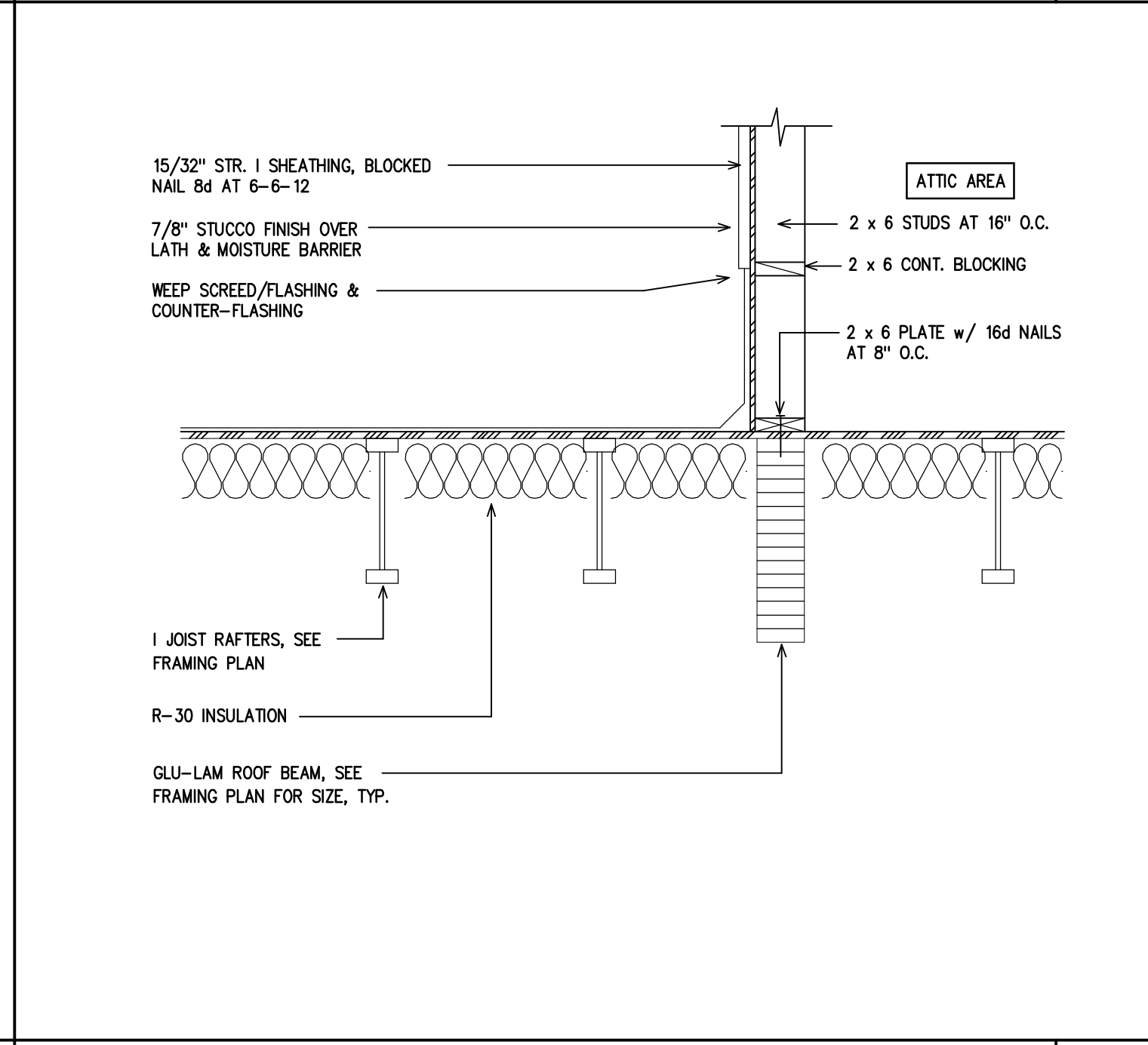
11



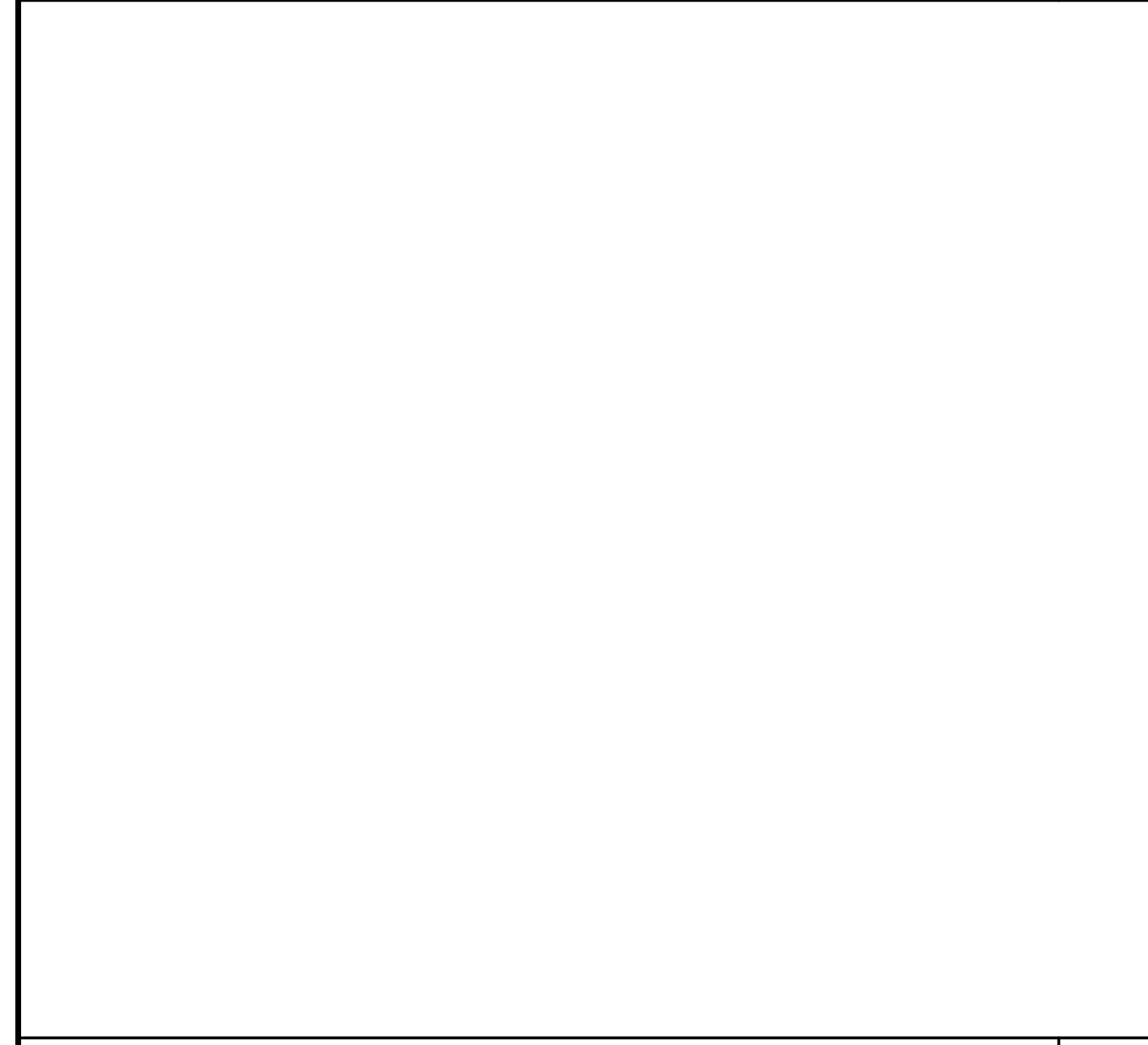
8



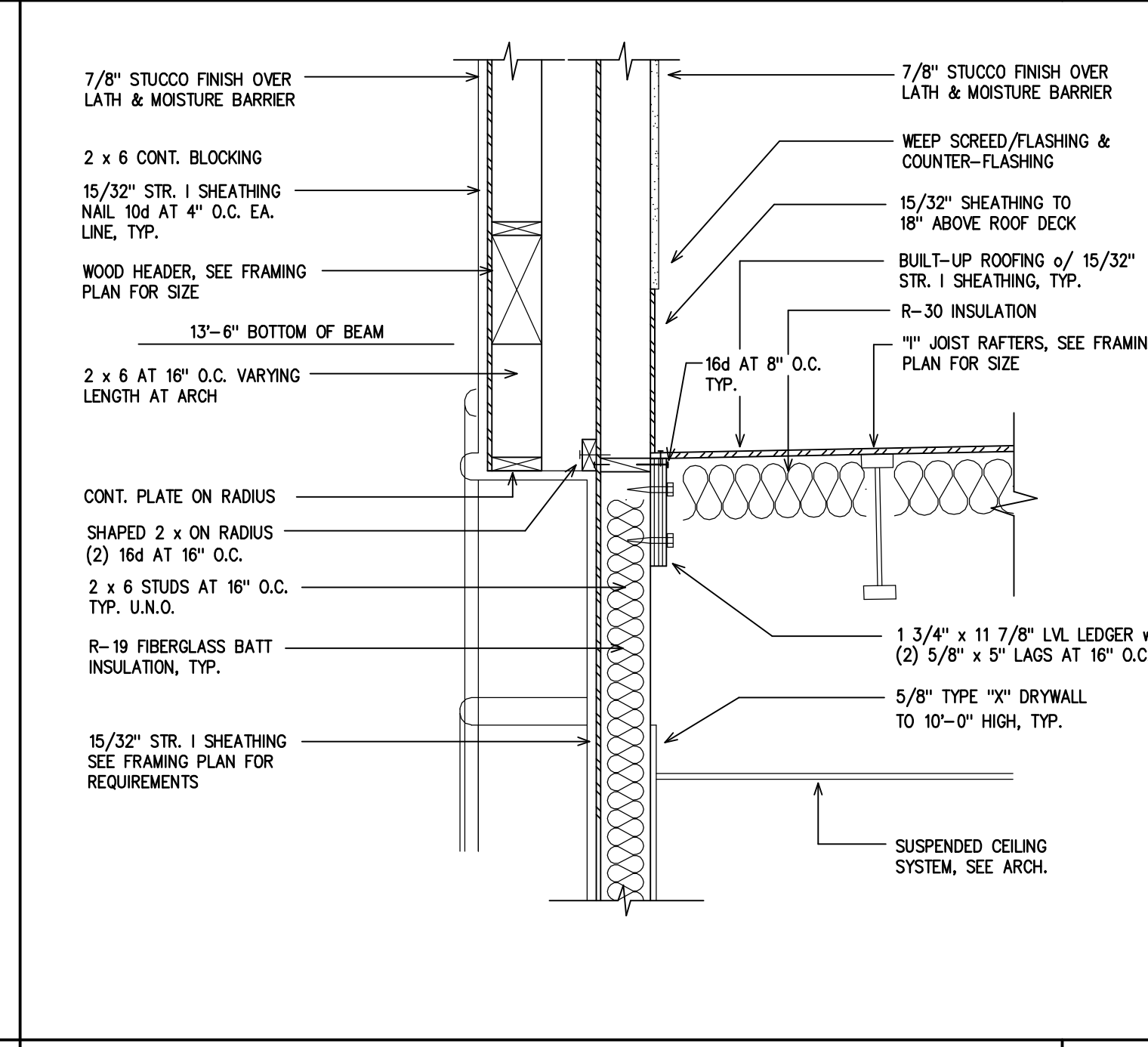
5



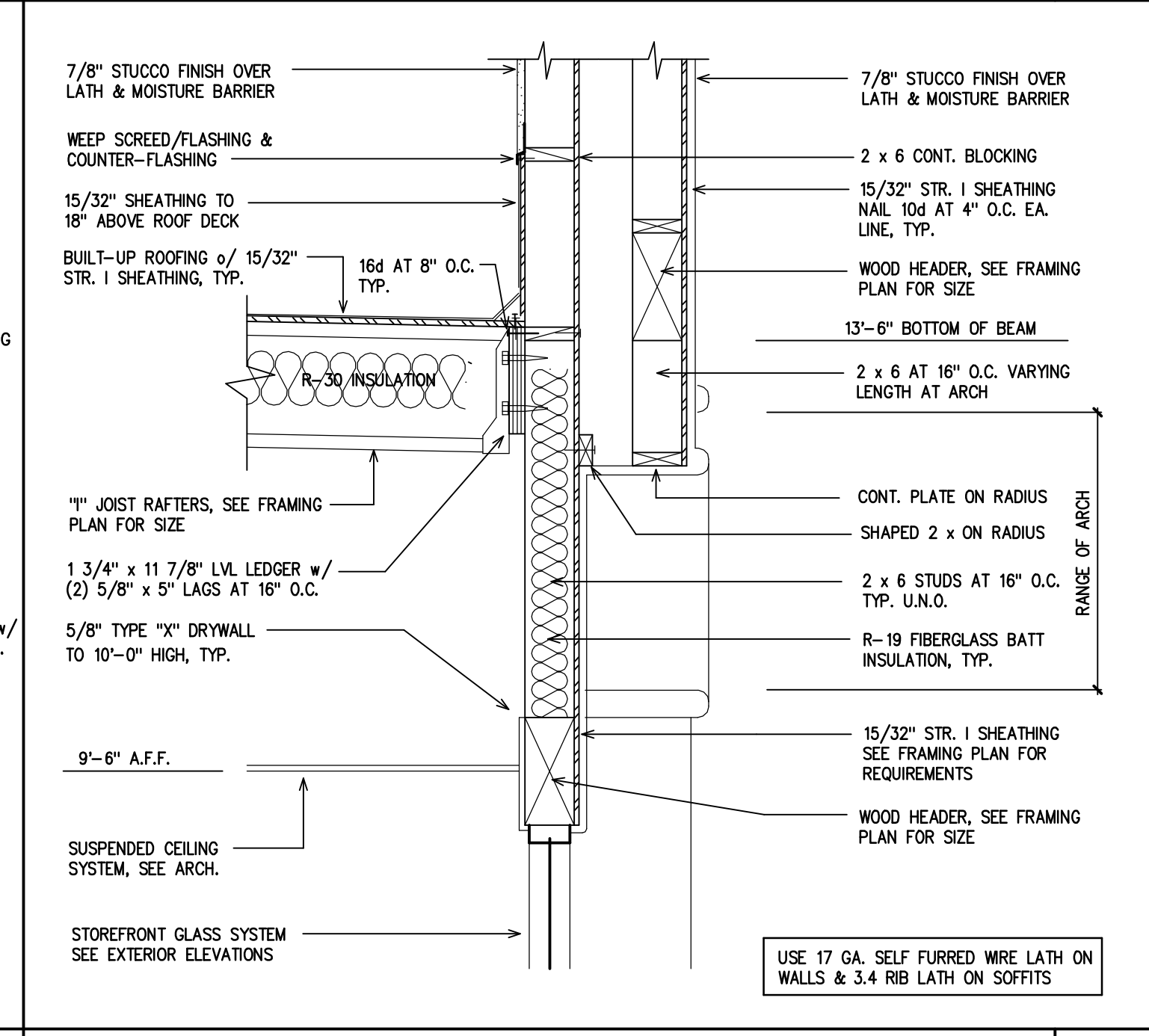
2



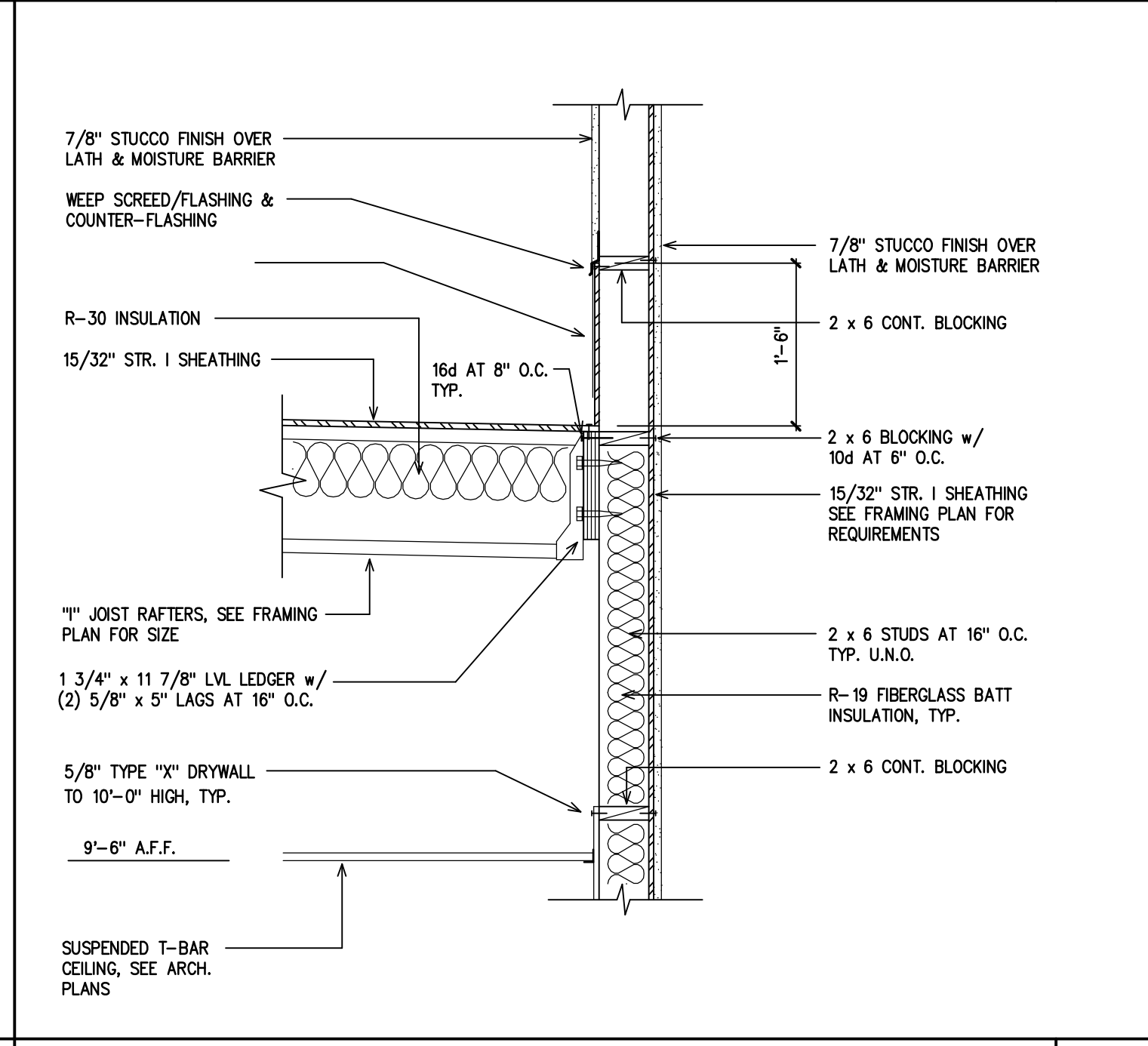
12



9



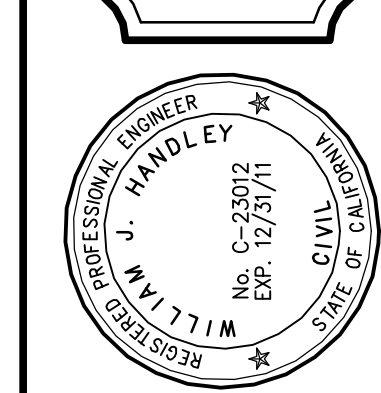
6



3

NO.	REVISION	BY	DATE

HANDLEY ENGINEERING
 130 EL CAMINO REAL TUSTIN CA 92780
 SUITE 200 (714) 669-1141



NEW PROFESSIONAL OFFICE FOR:
JAMES HOCH, D.D.S.
 32246 CLINTON KEITH ROAD, WILDOMAR, CA 92595

DATE: 11/28/11
 JOB NO: 11-23
 DRAWN: WJH
 CHECKED: WJH
 SCALE: NONE
 SHEET

S-4.3
 OF SHEETS