

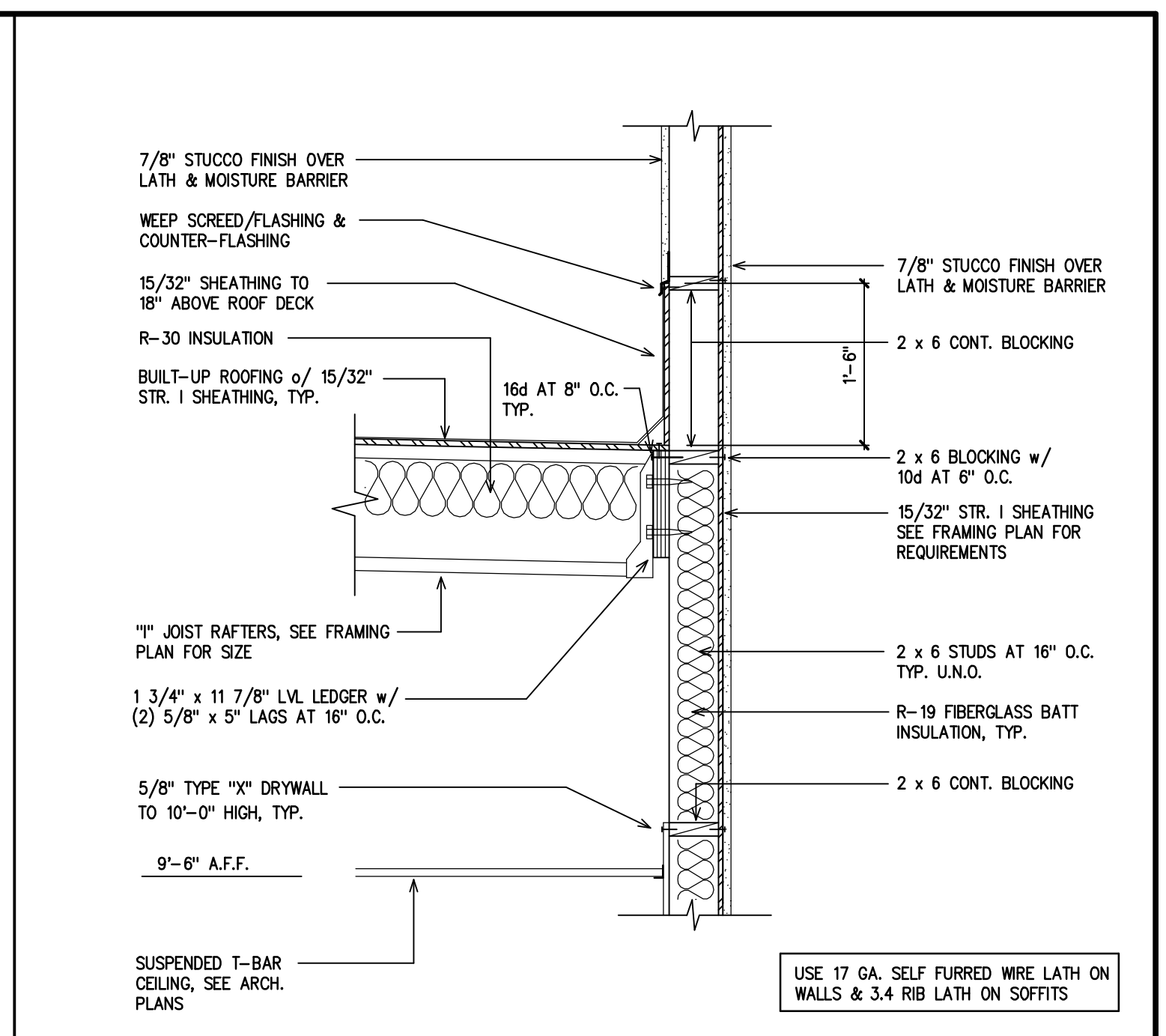
HVAC UNIT CURB SUPPORT

10



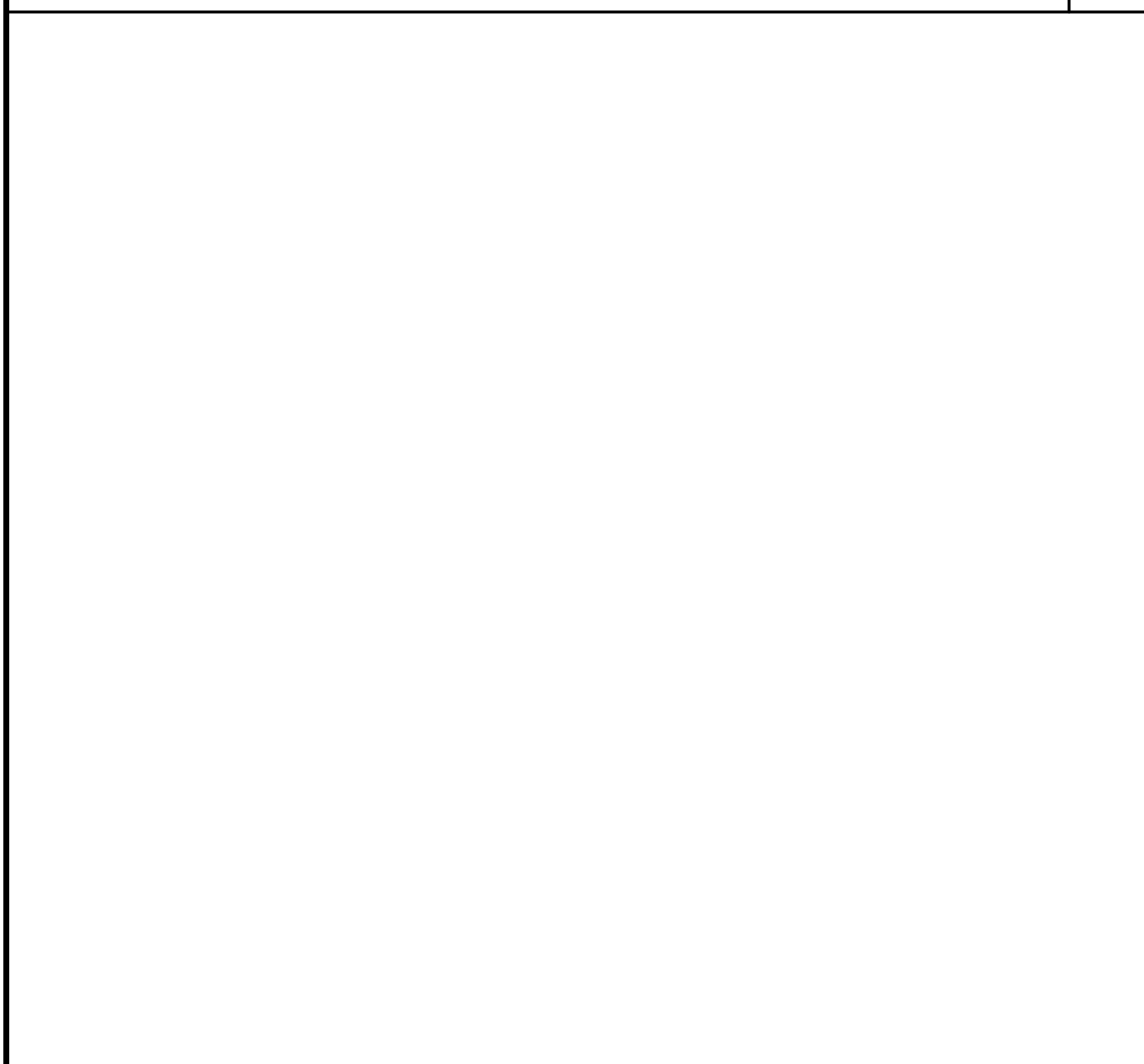
GLU-LAM BEAM TO STEEL COLUMN

4



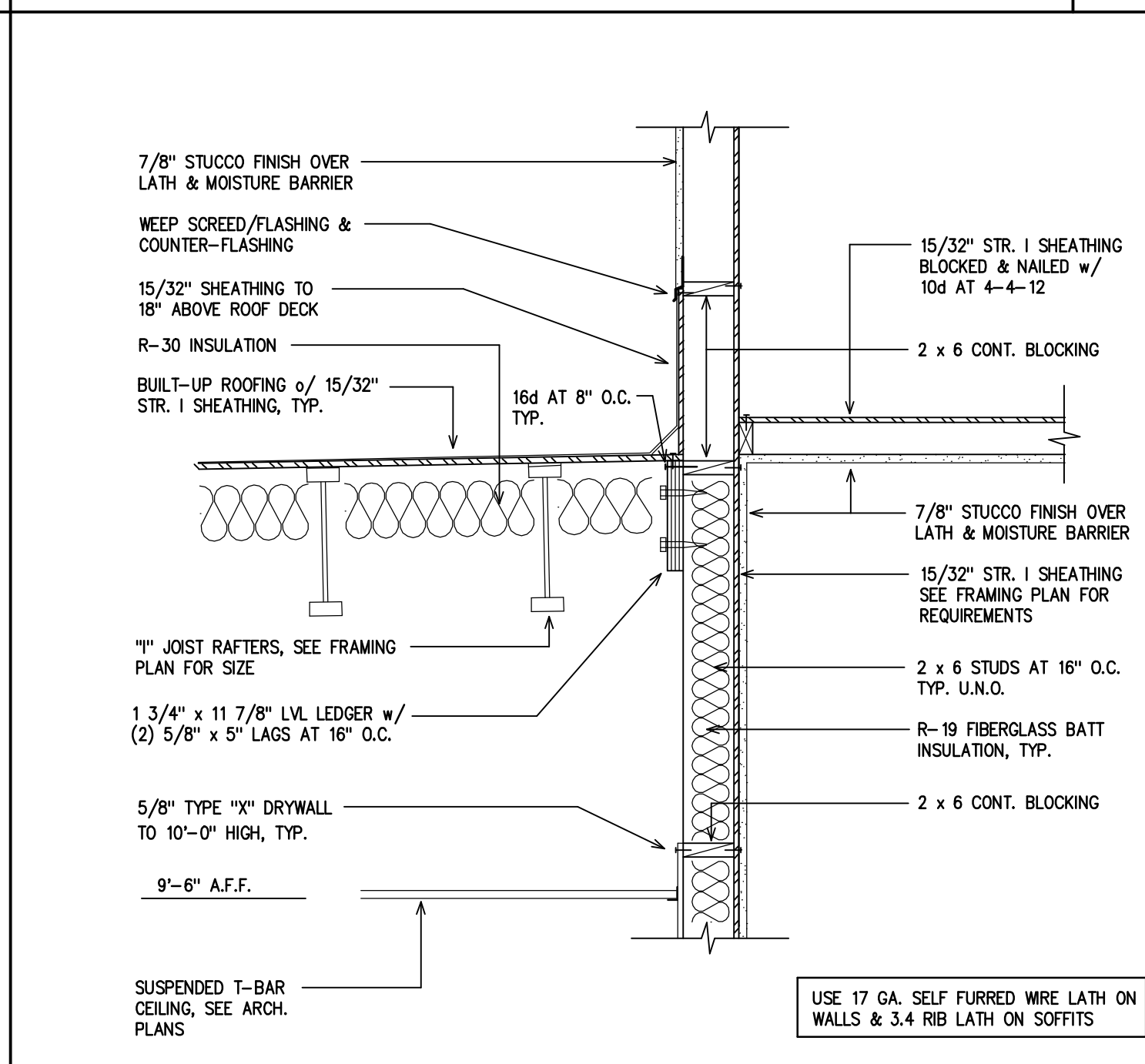
ROOF FRAMING DETAIL

1



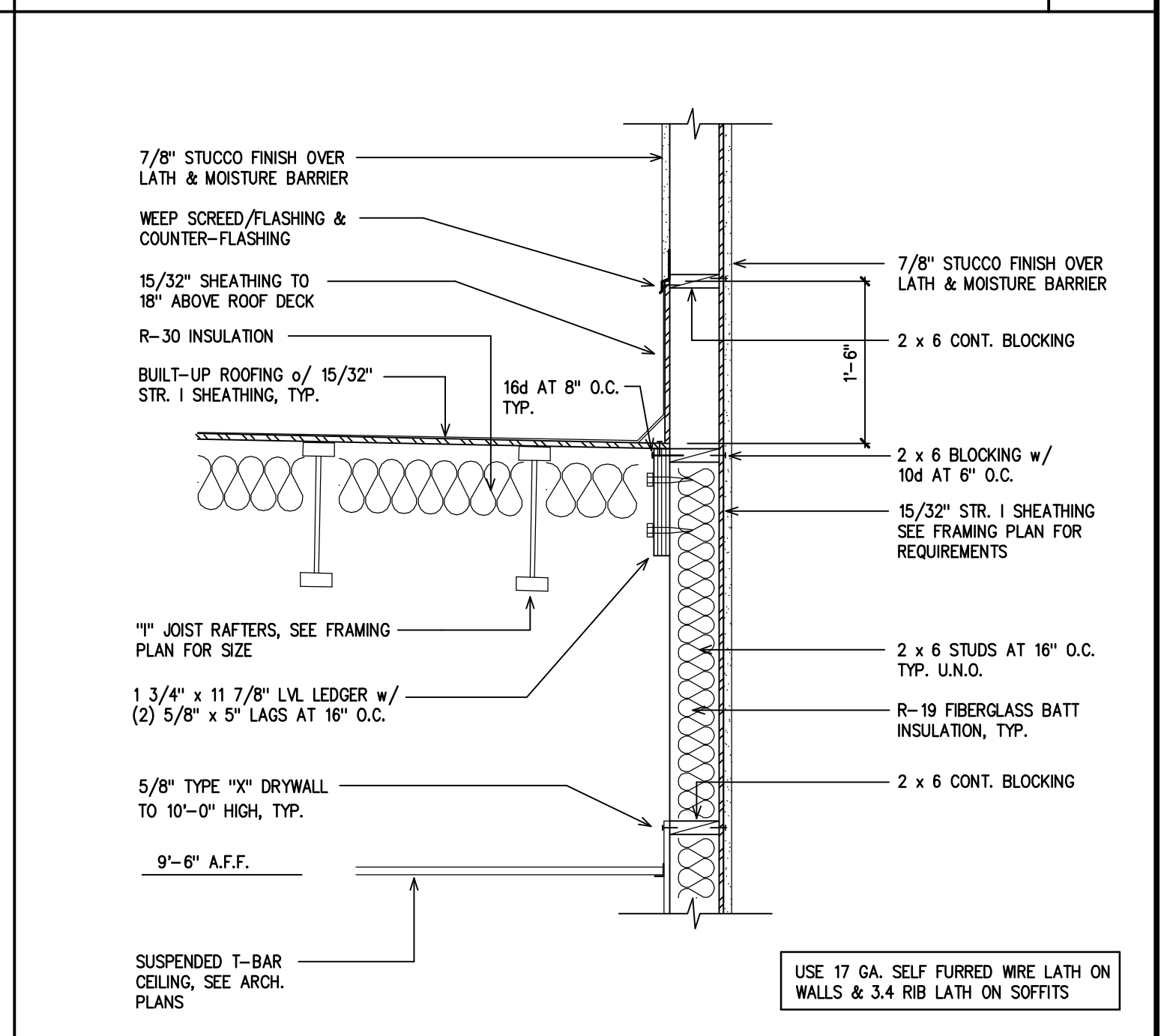
ROOF FRAMING DETAIL

8



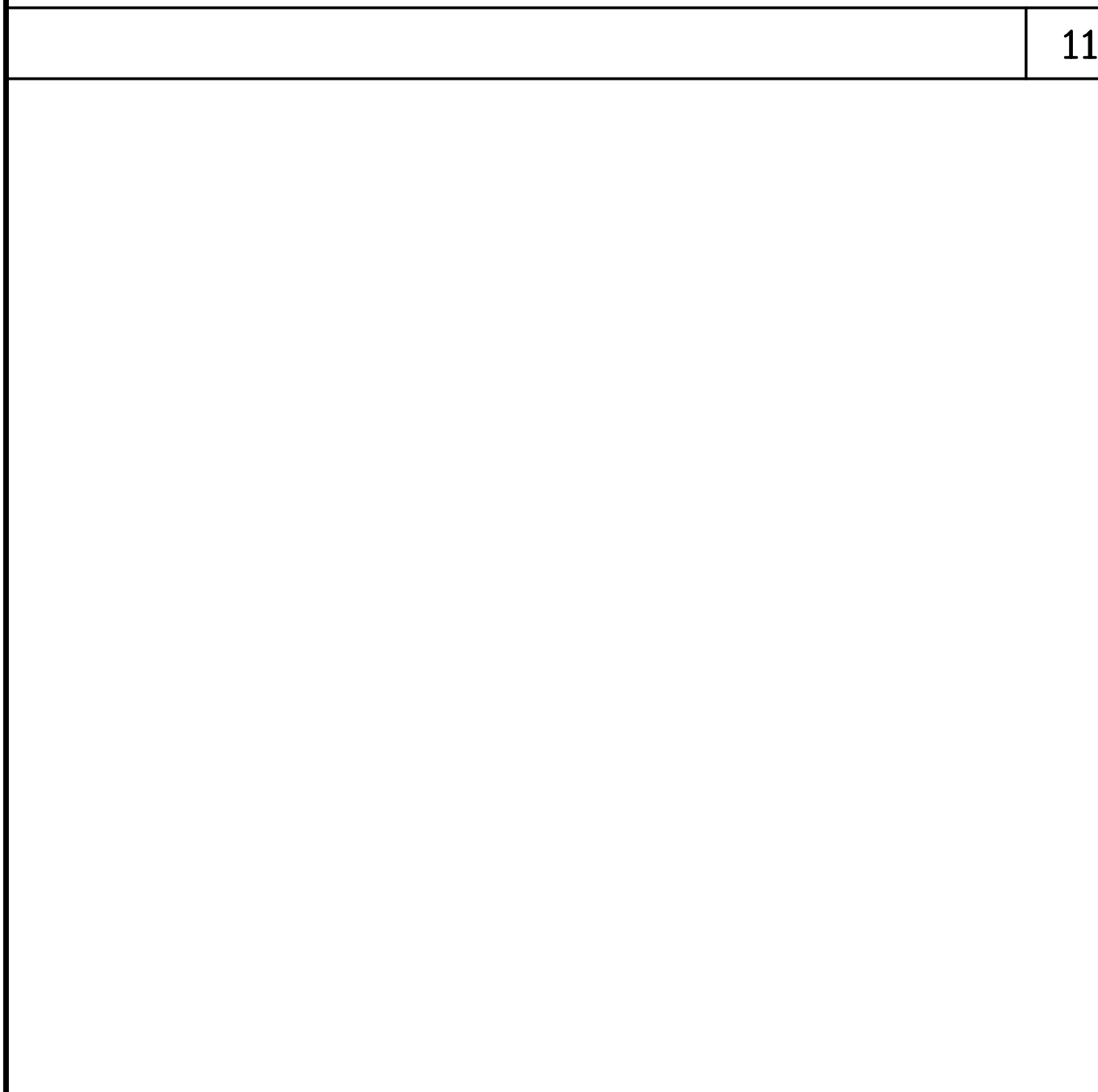
ROOF FRAMING DETAIL

5



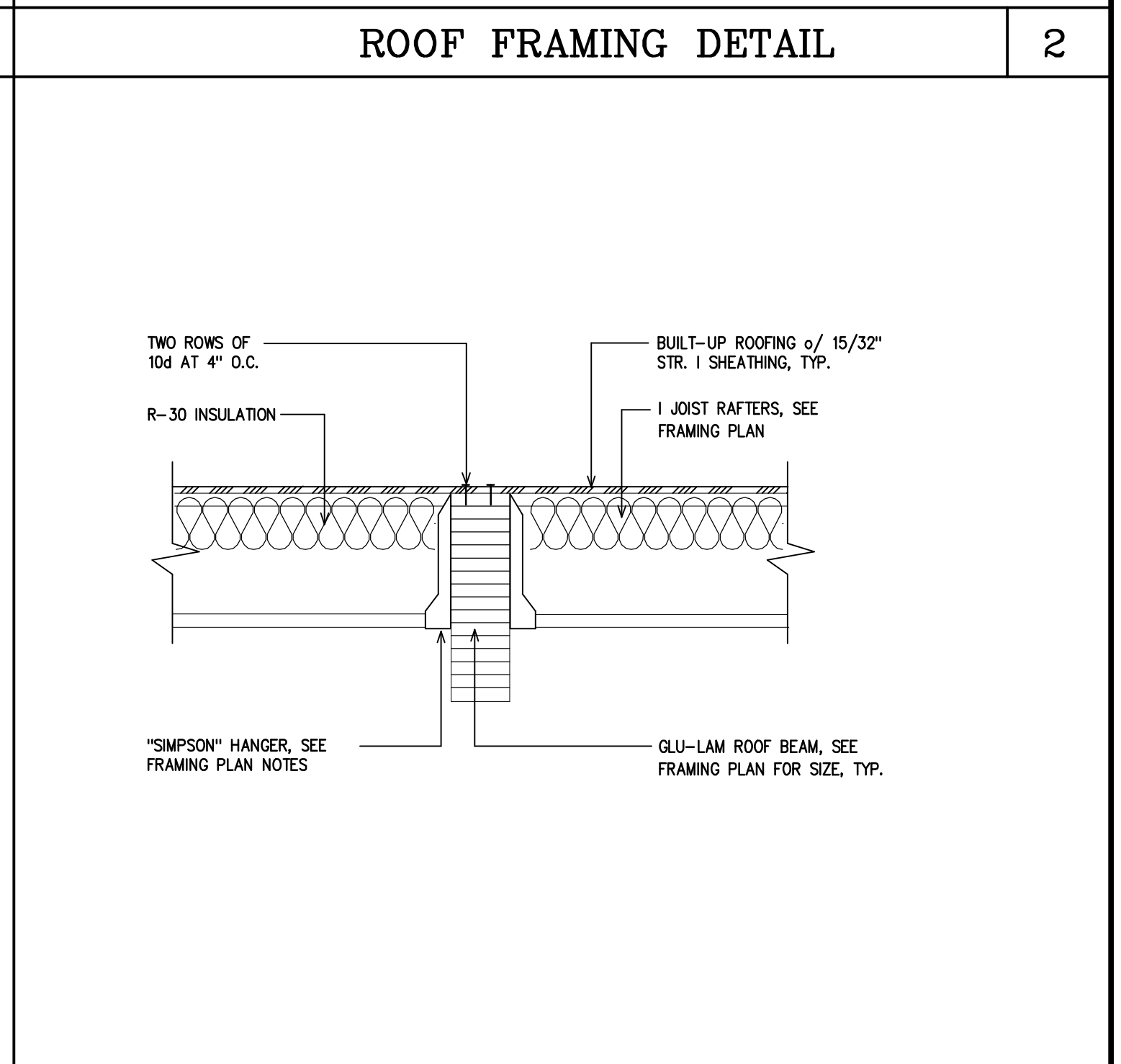
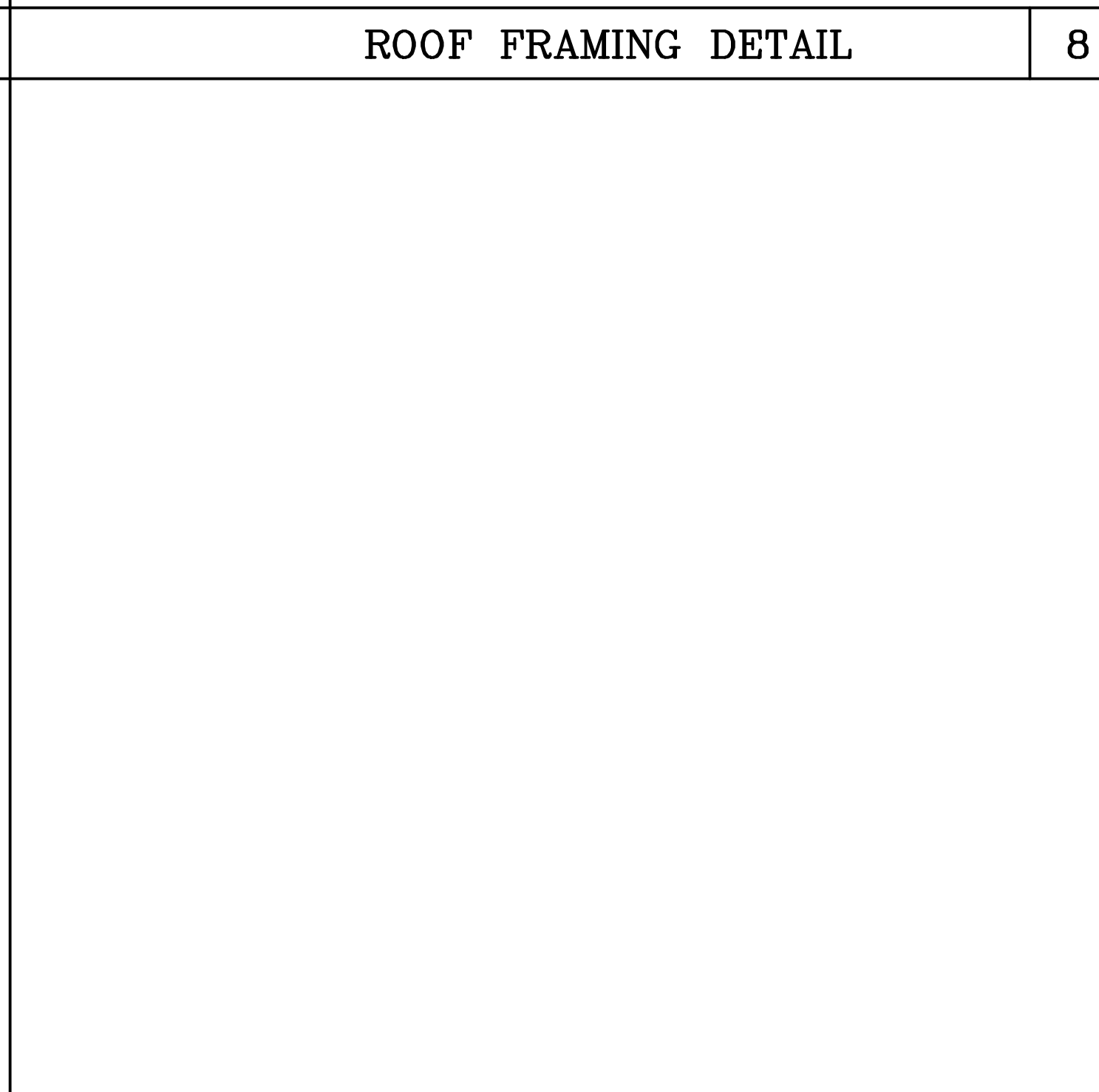
ROOF FRAMING DETAIL

2



GLU-LAM TO EXTERIOR WALL

6

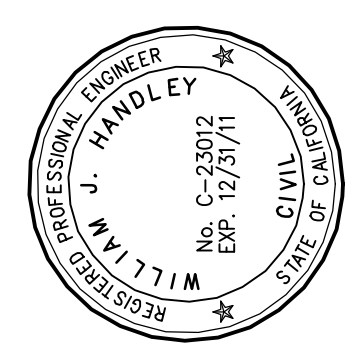


I-JOIST TO GLU-LAM ROOF BEAM

3

NO.	REVISION	BY	DATE

HANDLEY ENGINEERING
 130 EL CAMINO REAL TUSTIN CA 92780
 SUITE 200 (714) 669-1141



NEW PROFESSIONAL OFFICE FOR:
JAMES HOCH, D.D.S.
 32246 CLINTON KEITH ROAD, WILDOMAR, CA 92595

DATE:	11/28/11
JOB NO:	11-23
DRAWN:	WJH
CHECKED:	WJH
SCALE:	NONE
SHEET	

S-4.2
 OF SHEETS