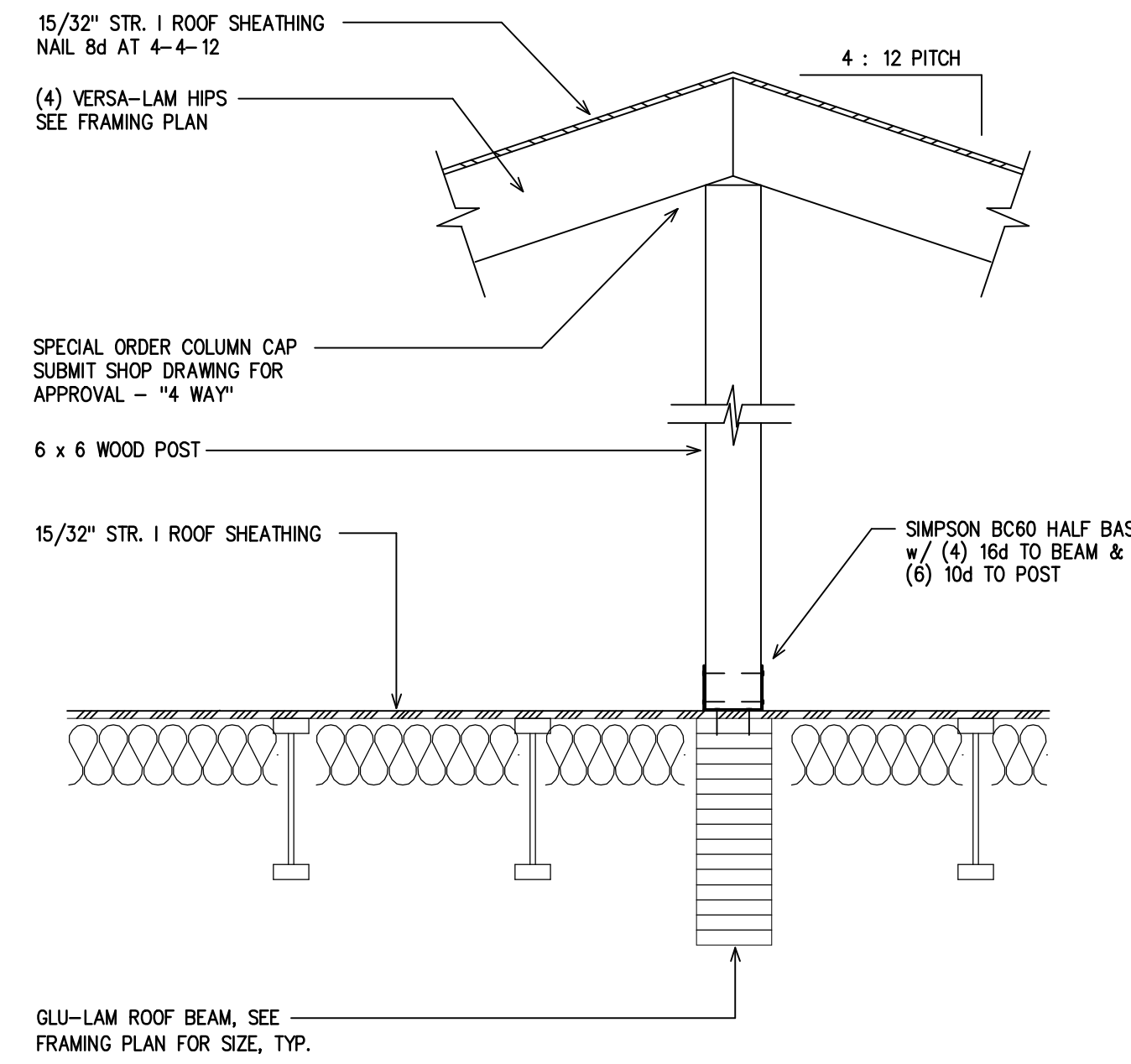


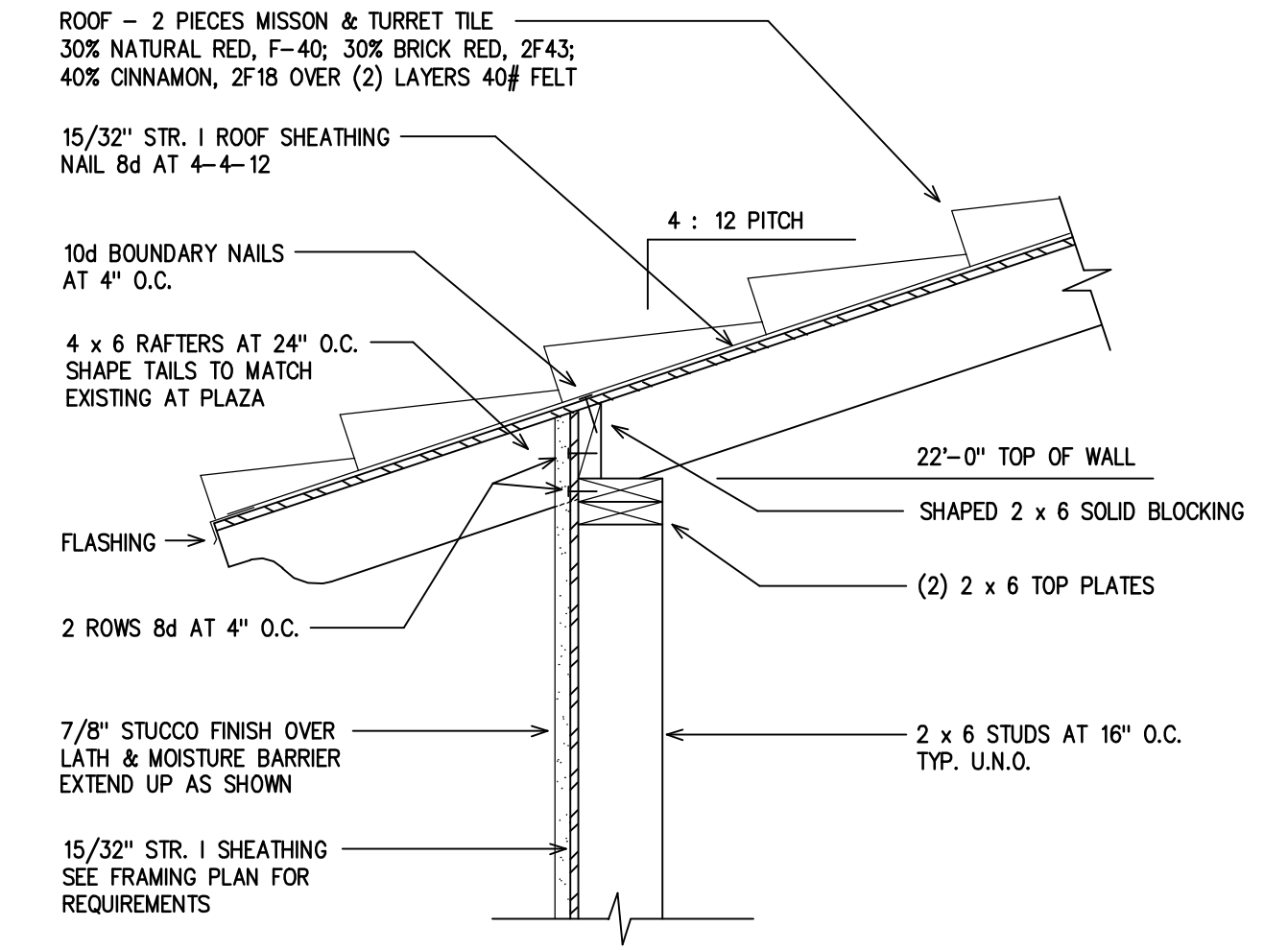
4

ROOF FRAMING DETAIL



3

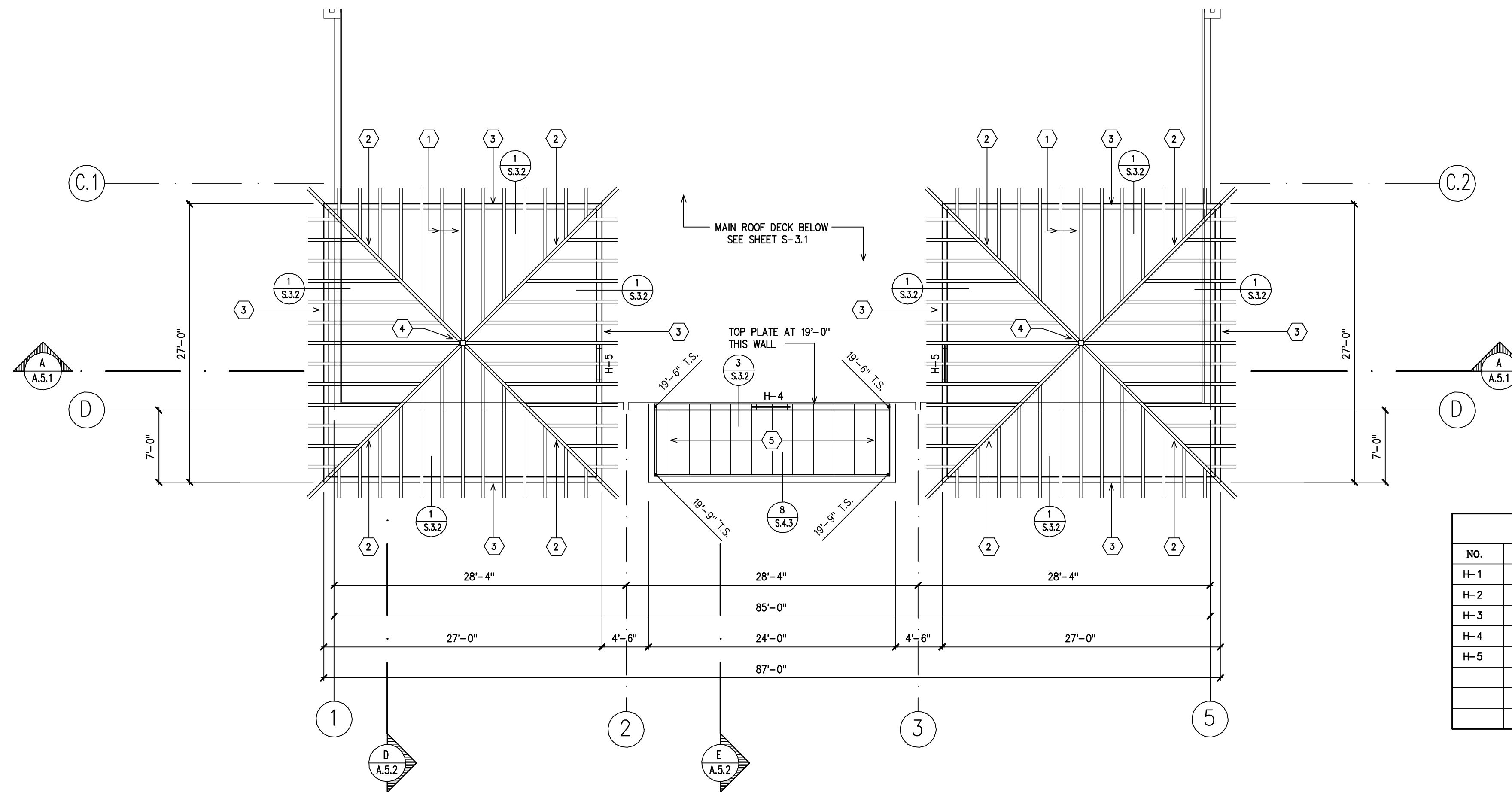
SUPPORT POST AT HIGH ROOF



2

ROOF FRAMING DETAIL

1



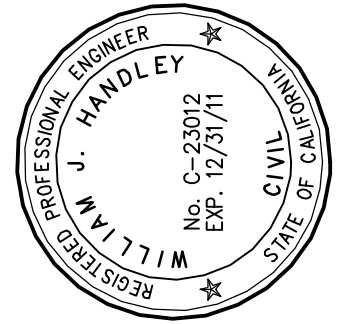
HIGH ROOF FRAMING PLAN

HIGH ROOF FRAMING NOTES	
1	4 x 6 NO. 1 D.F. RAFTERS AT 24" O.C.
2	5 1/4" x 9 1/4" VERSA LAM 2800 HIP BEAM, TYP.
3	2 x 6 STUD BEARING WALL, TYP.
4	6 x 6 HIP SUPPORT POST DOWN TO MAIN ROOF LEVEL - SEE 2/S-3.2
5	2 x 6 RAFTERS AT 24" O.C.
6	15/32" STR. 1 SHGT. NAIL 8d AT 4-4-12, BLOCKED EDGES
7	X
8	
9	
10	

HEADER SCHEDULE				
NO.	SIZE	HEIGHT	HARDWARE	REMARKS
H-1	6 x 12	NO. 1 DF	9'-1"	
H-2	6 x 16	NO. 1 DF	9'-1"	
H-3	6 x 6	NO. 1 DF	7'-1"	VERIFY HEADER HEIGHT w/ FRAME
H-4	6 x 6	NO. 1 DF	4'-0"	ABOVE MAIN ROOF DECK
H-5	6 x 6	NO. 1 DF	4'-0"	ABOVE MAIN ROOF DECK

NO.	REVISION	BY	DATE

HANDLEY ENGINEERING
 130 EL CAMINO REAL SUITE 200
 TUSTIN CA 92780
 (714) 669-1141



NEW PROFESSIONAL OFFICE FOR:
JAMES HOCH, D.D.S.
 32246 CLINTON KEITH ROAD, WILDOMAR, CA 92595

DATE: 11/28/11
 JOB NO: 11-23
 DRAWN: WJH
 CHECKED: WJH
 SCALE: 1/8"=1'-0"
 SHEET

S-3.2
 OF SHEETS