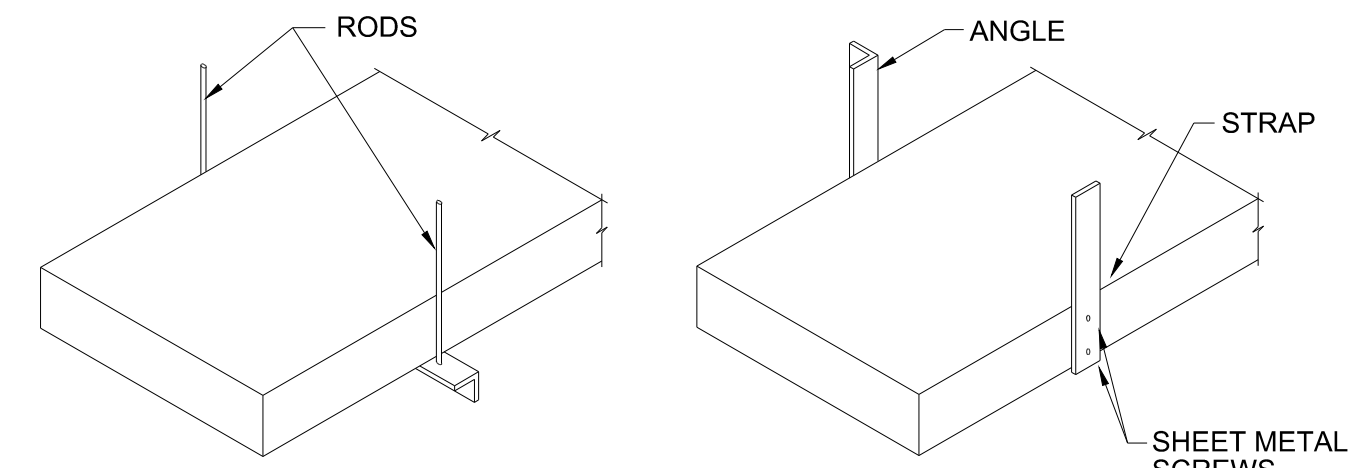


RECTANGULAR DUCTS						
VERTICAL		HORIZONTAL		TRAPEZE-TYPE SUPPORTS		
MAXIMUM SIDE OF DUCT	METAL STRAP OR ANGLE BRACKET ¹	MAXIMUM SIDE OF DUCT	METAL STRAP OR ANGLE BRACKET ²	MAXIMUM SIDE OF DUCT	HORIZONTAL SUPPORT ANGLE ³	HANGER RND ROD ANGLE
24"	1" x 1/8" STRAP	18"	1" x 18 GAUGE	36"	1-1/2" x 1-1/2" x 1/8"	1/4" 1" x 1" x 1/8"
36"	1" x 1" x 1/8"	30"	1" x 18 GAUGE	48"	2" x 2" x 1/8"	1/4" 1" x 1" x 1/8"
48"	1-1/8" x 1-1/8" x 1/8"	48"	1" x 1/8" STRAP	60"	2" x 2" x 1/8"	5/16" 1" x 1" x 1/8"
60"	1-1/2" x 1-1/2" x 1/8"	60"	1" x 1/8" STRAP	84"	2" x 2" x 1/8"	3/8" 1" x 1" x 1/8"
OVER 60"	2" x 2" x 1/8"	80"	1" x 1/8" STRAP			

¹ SPACED VERTICALLY NOT MORE THAN 12" ON CENTERS
² SPACED HORIZONTALLY NOT MORE THAN 10" ON CENTERS
³ SPACED NOT MORE THAN 8" ON CENTERS



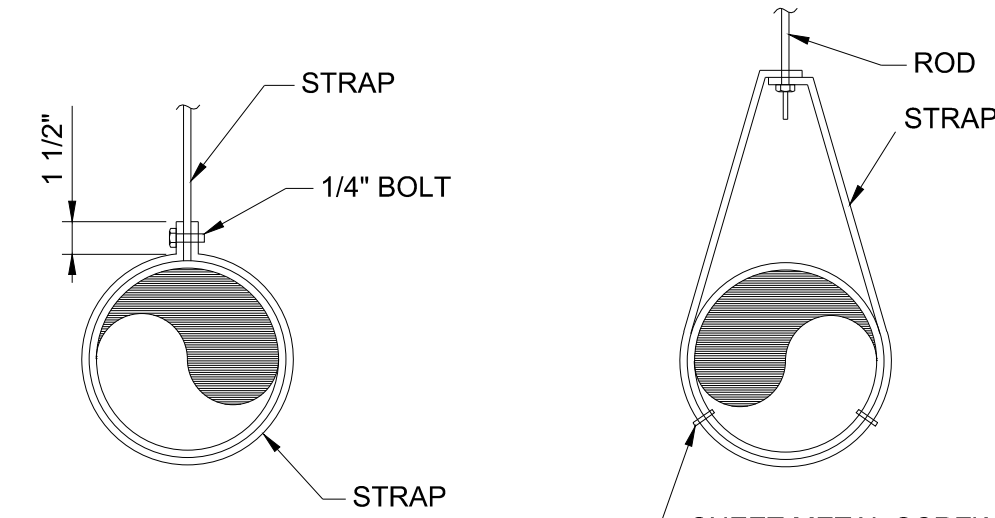
NOTE:
USE EITHER ANGLE OR STRAP

SEISMIC BRACING TO BE INSTALLED PER ASCE 7-2005 EDITION

RECTANGULAR DUCT HANGER DETAIL

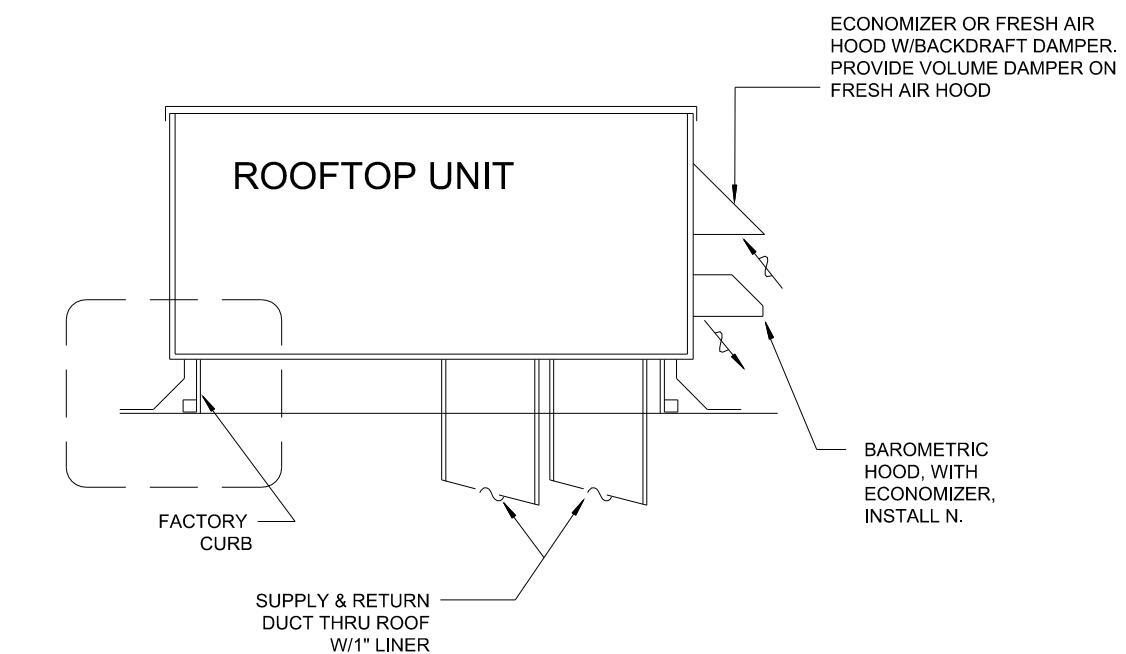
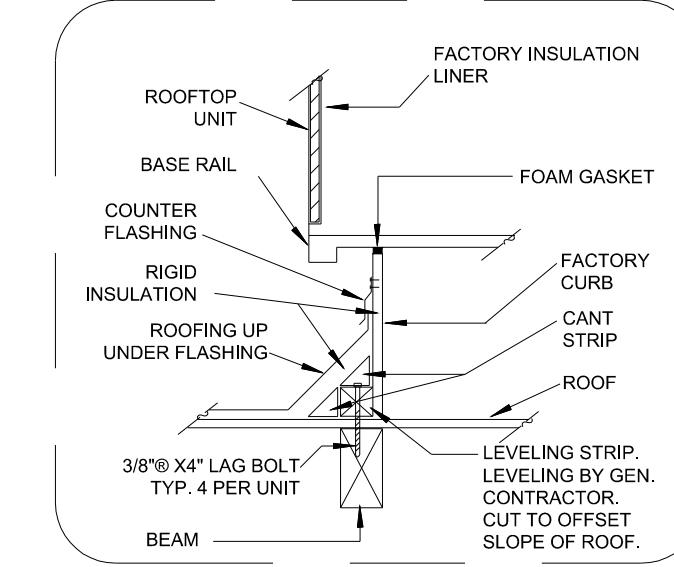
ROUND DUCTS						
VERTICAL		HORIZONTAL		TRAPEZE-TYPE SUPPORTS		
MAXIMUM DIAMETER OF DUCT	METAL STRAP OR ANGLE BRACKET	MAXIMUM DIAMETER OF DUCT	METAL STRAP OR ANGLE BRACKET	MAXIMUM DIAMETER OF DUCT	HORIZONTAL SUPPORT ANGLE ³	HANGER RND ROD ANGLE
10"	2" x 18 GAUGE	10"	SEE NOTE 4 BELOW	36"	1-1/2" x 1-1/2" x 1/8"	1/4" 1" x 1" x 1/8"
20"	2" x 16 GAUGE	20"	SEE NOTE 5 BELOW	48"	2" x 2" x 1/8"	1/4" 1" x 1" x 1/8"
40"	1/8" x 1-1/2"	40"	SEE NOTE 5 BELOW	60"	2" x 2" x 1/8"	5/16" 1" x 1" x 1/8"
60"	1/8" x 2"	60"	SEE NOTE 6 BELOW	84"	2" x 2" x 1/8"	3/8" 1" x 1" x 1/8"
OVER 60"	3/16" x 2"	OVER 60"	SEE NOTE 7 BELOW			

¹ SPACED VERTICALLY NOT MORE THAN 12" ON CENTERS
² SPACED HORIZONTALLY NOT MORE THAN 10" ON CENTERS
³ SPACED NOT MORE THAN 8" ON CENTERS
⁴ SAME GAUGE AS GAL. STEEL DUCT, 1" WIDE OR NO. 18 GAUGE GAL. STEEL WIRE ON 10" CENTERS
⁵ SAME GAUGE AS GAL. STEEL DUCT, 1" WIDE OR NO. 8 GAUGE GAL. STEEL WIRE TIED TO 1" GAL. STEEL BAND AROUND DUCT ON 10" CENTERS
⁶ SAME GAUGE AS GAL. STEEL DUCT, 1-1/2" WIDE ON 6" CENTERS
⁷ SAME GAUGE AS GAL. STEEL DUCT, 1-1/2" WIDE ON 4" CENTERS

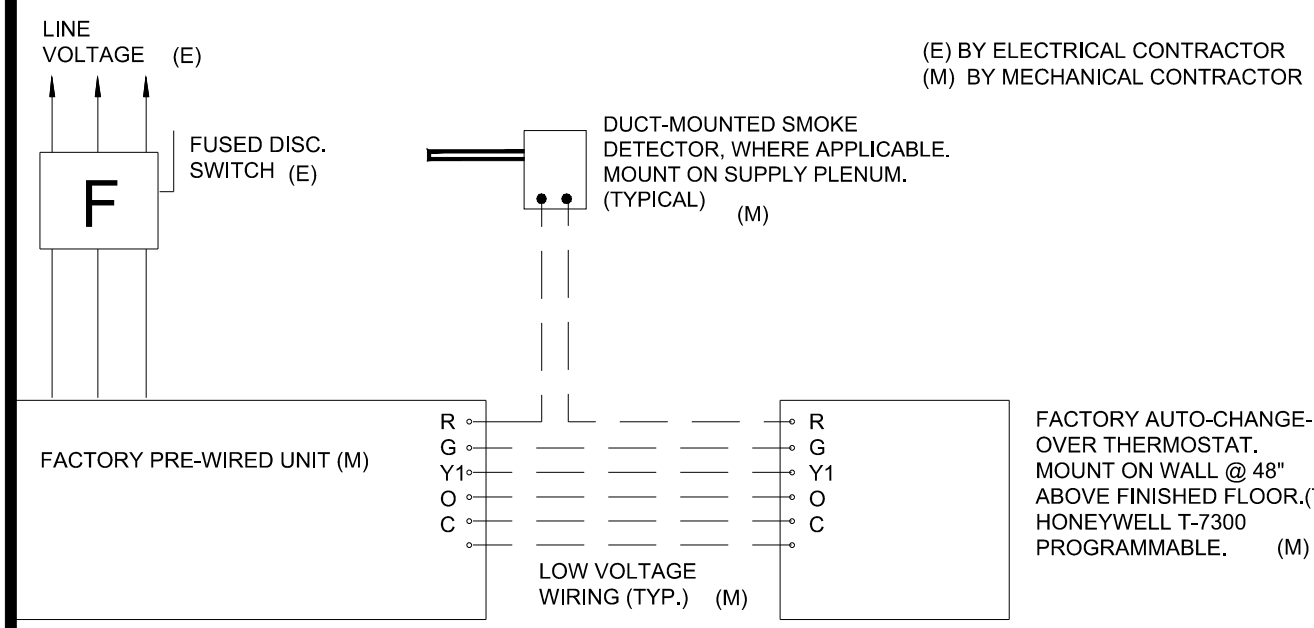


SEISMIC BRACING TO BE INSTALLED PER ASCE 7-2005 EDITION

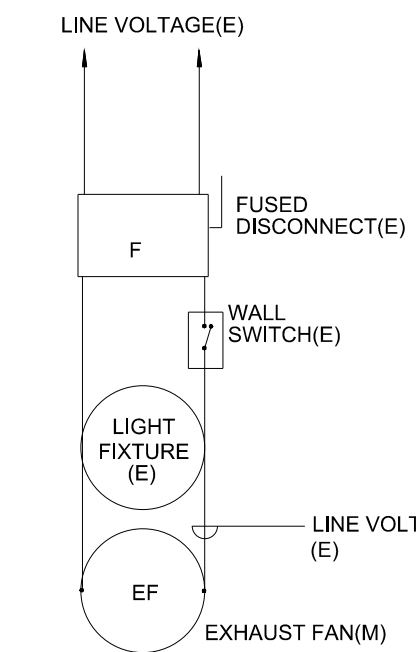
ROUND DUCT HANGER DETAIL



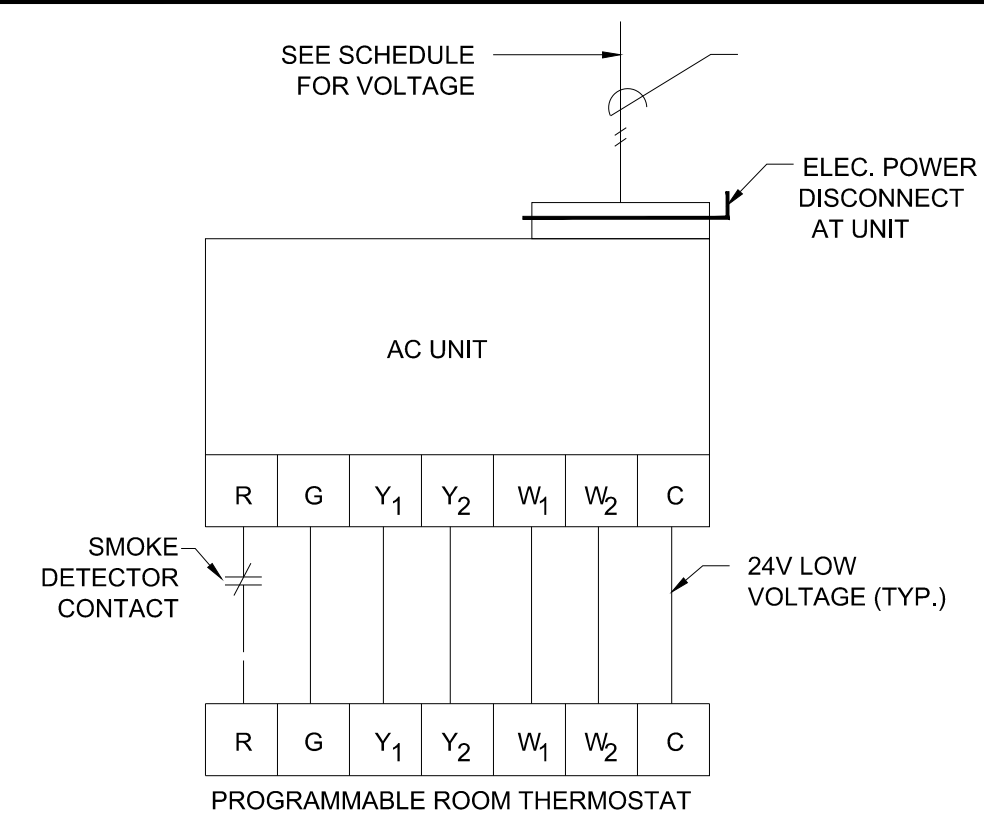
DOWNSHOT UNIT DETAIL



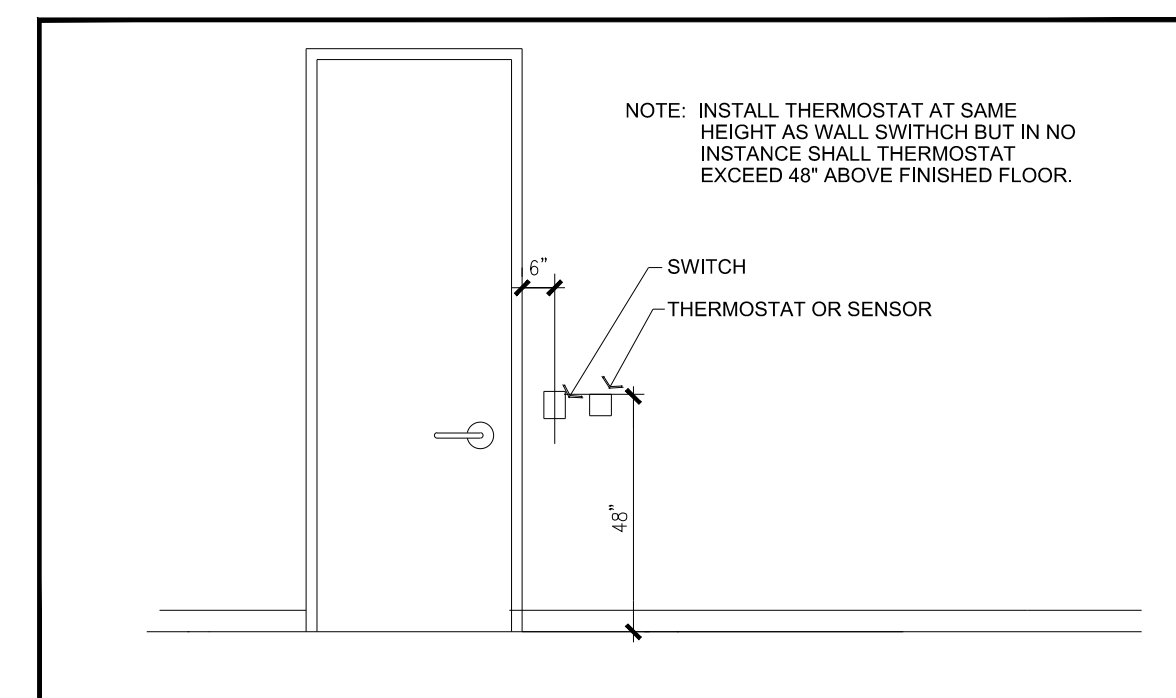
UNIT WIRING DIAGRAM



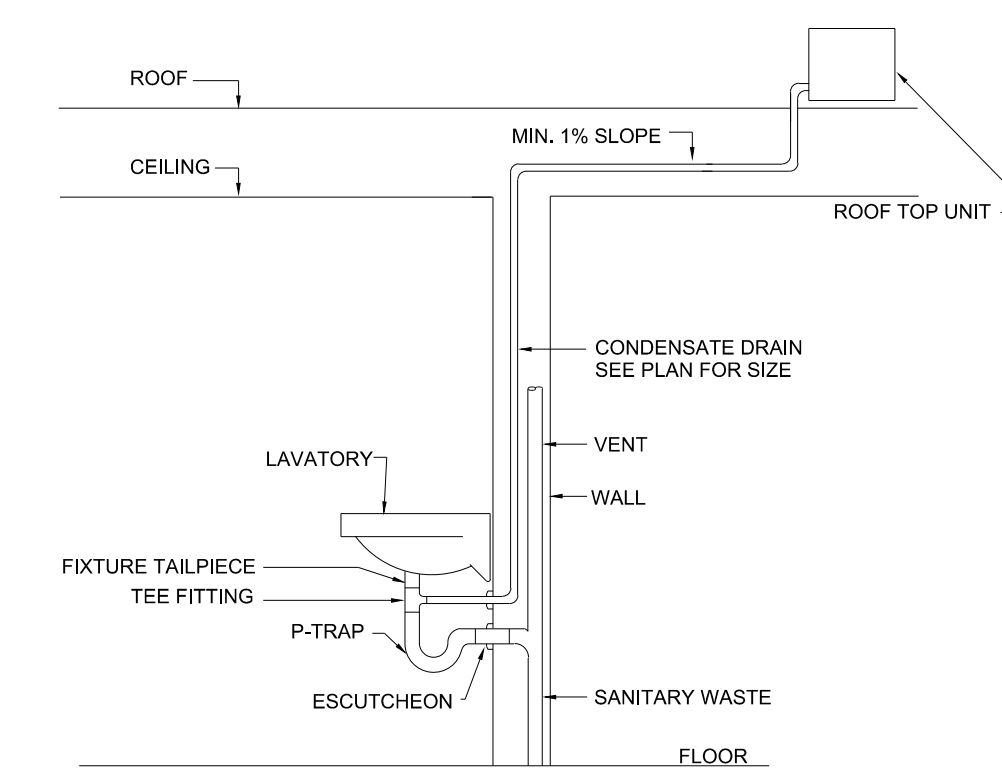
EXHAUST FAN WIRING DIAGRAM



THERMOSTAT WIRING DIAGRAM



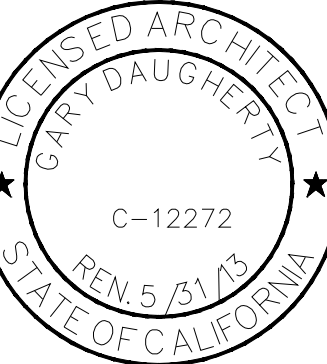
THERMOSTAT INSTALLATION DETAIL



CONDENSATE DRAIN DETAIL

NO.	REVISION	BY	DATE

HANDLEY ENGINEERING
 130 EL CAMINO REAL, SUITE 200
 TUSTIN, CA 92780
 (714) 669-1141



SOUTH LAND
 energy consultants
 1481 Glenview St., Laguna Beach, CA 92651
 PH: 949/497-3591 FAX: 949/497-3210
 Email Address: pekland@el.com

NEW PROFESSIONAL OFFICE FOR:
JAMES HOCH, D.D.S.
 32246 CLINTON KEITH ROAD, WILDOMAR, CA 92595

DATE: 11.28.11
 JOB NO: TM/SL/JH
 DRAWN: PK
 CHECKED: GD/PK
 SCALE: AS NOTED
 SHEET

M4.0
 OF SHEETS