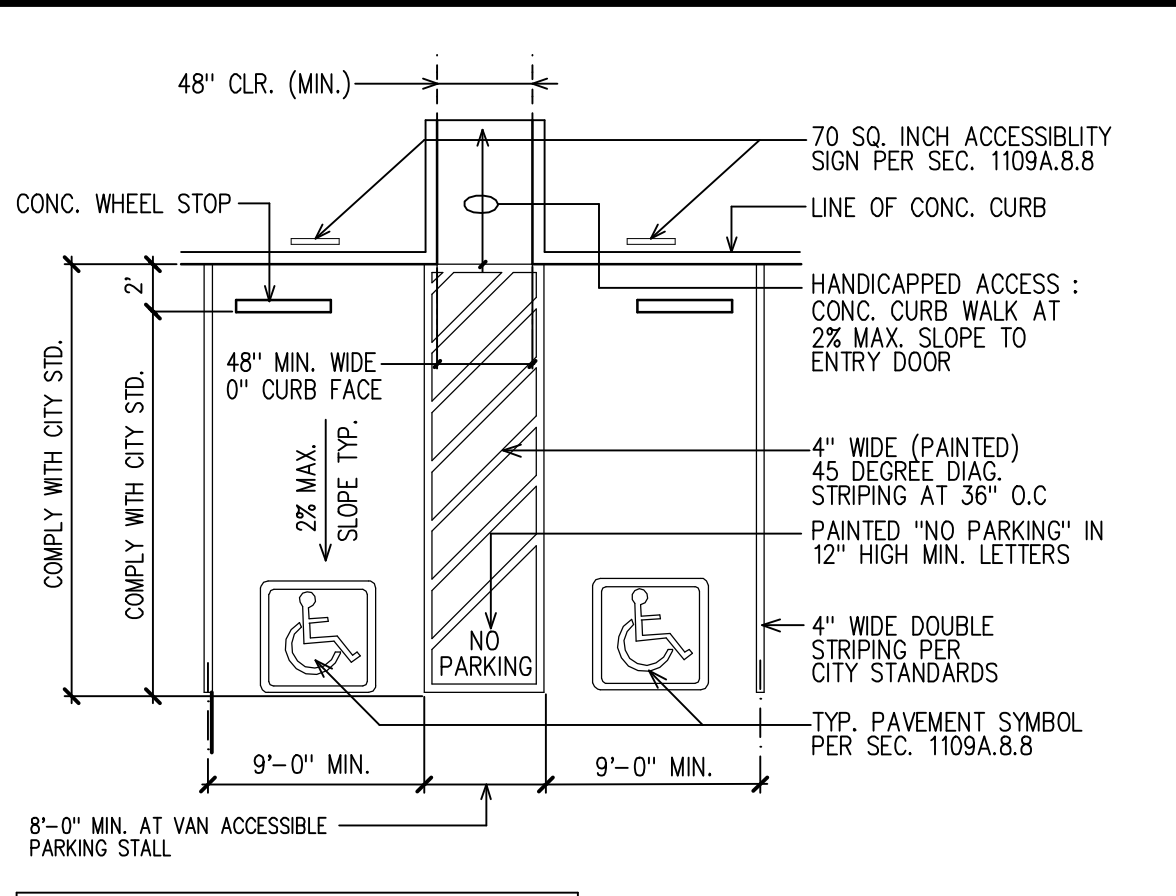


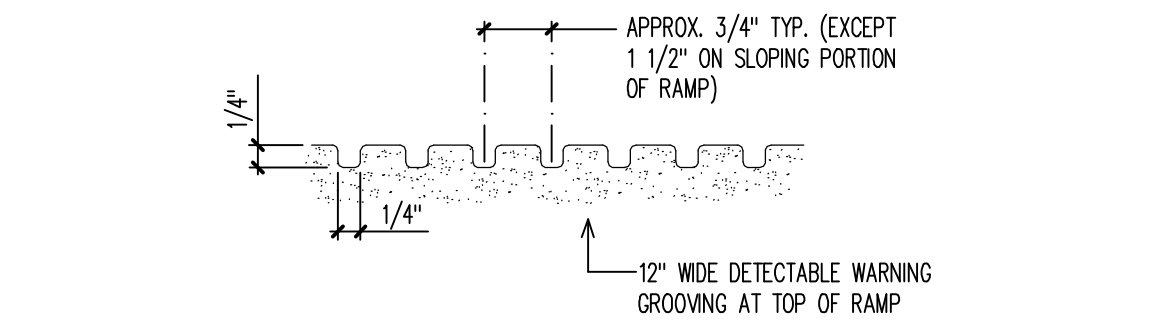
THIS DIAGRAM ILLUSTRATES THE SPECIFIC REQUIREMENTS OF ADA REGULATIONS AND IS INTENDED ONLY AS AN AID FOR BUILDING DESIGN AND CONSTRUCTION

FIGURE 11B-27



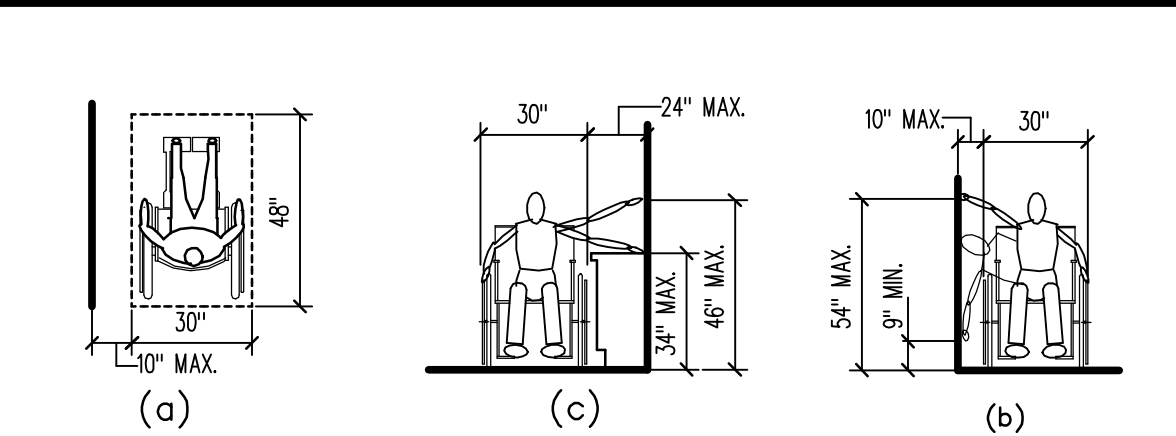
THIS DIAGRAM ILLUSTRATES THE SPECIFIC REQUIREMENTS OF ADA REGULATIONS AND IS INTENDED ONLY AS AN AID FOR BUILDING DESIGN AND CONSTRUCTION

FIGURE 11B-18A



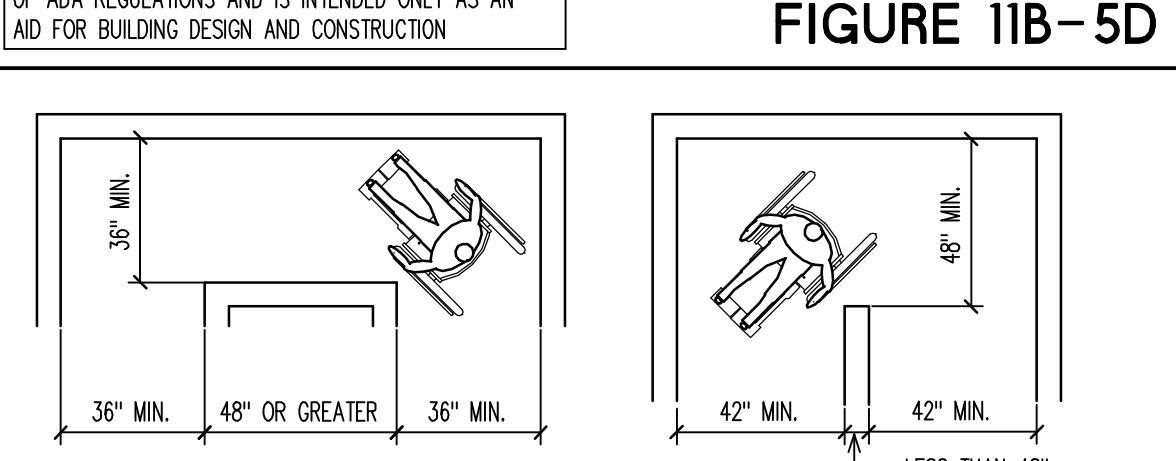
THIS DIAGRAM ILLUSTRATES THE SPECIFIC REQUIREMENTS OF ADA REGULATIONS AND IS INTENDED ONLY AS AN AID FOR BUILDING DESIGN AND CONSTRUCTION

FIGURE 11B-20D



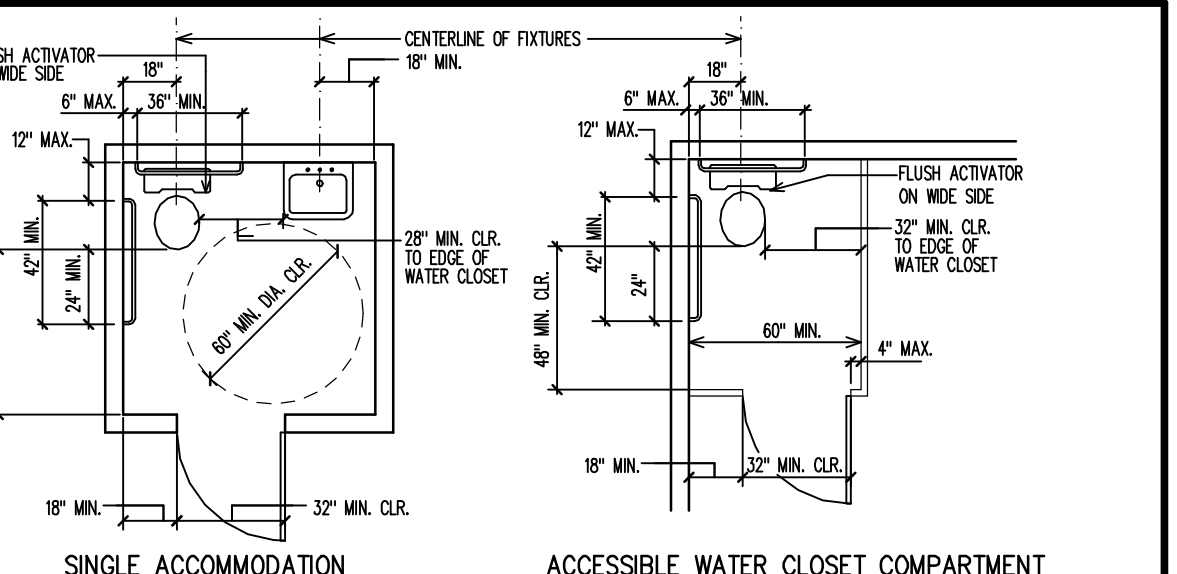
THIS DIAGRAM ILLUSTRATES THE SPECIFIC REQUIREMENTS OF ADA REGULATIONS AND IS INTENDED ONLY AS AN AID FOR BUILDING DESIGN AND CONSTRUCTION

FIGURE 11B-5D



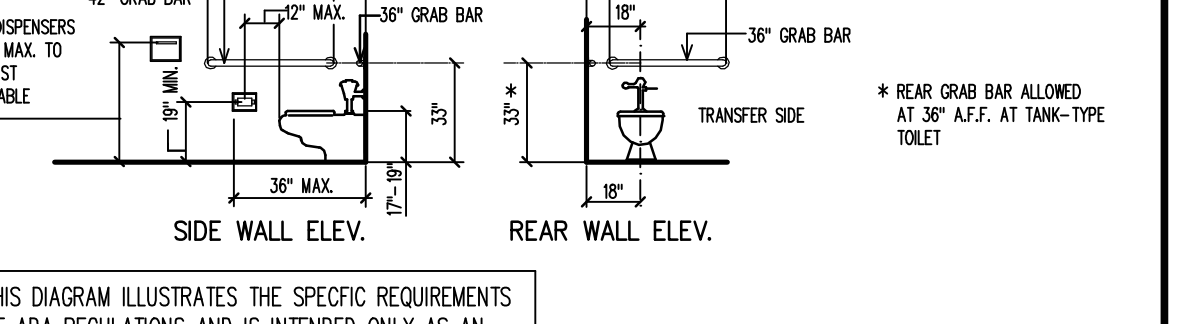
THIS DIAGRAM ILLUSTRATES THE SPECIFIC REQUIREMENTS OF ADA REGULATIONS AND IS INTENDED ONLY AS AN AID FOR BUILDING DESIGN AND CONSTRUCTION

FIGURE 11B-5E



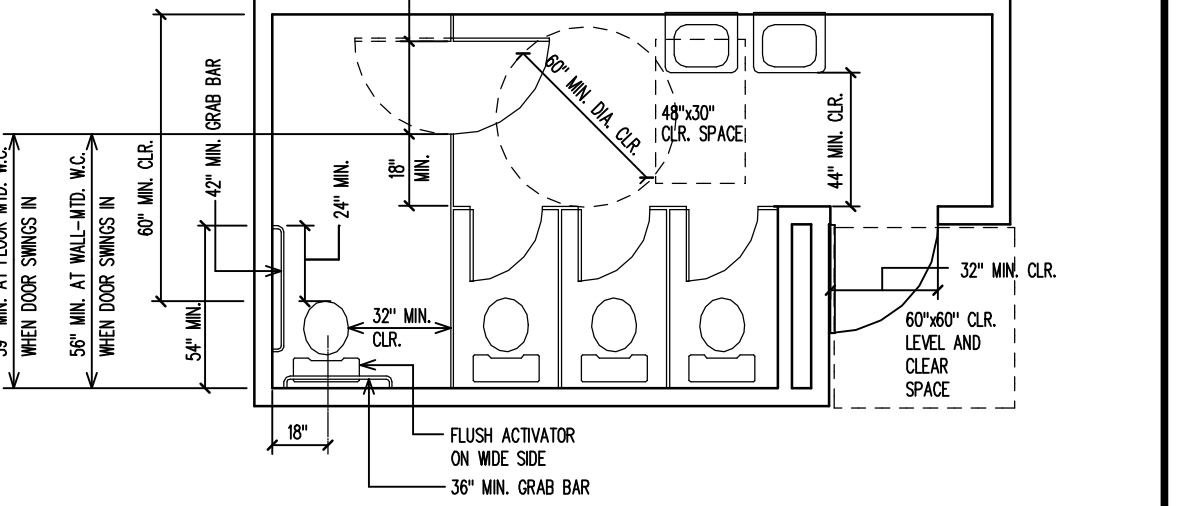
THIS DIAGRAM ILLUSTRATES THE SPECIFIC REQUIREMENTS OF ADA REGULATIONS AND IS INTENDED ONLY AS AN AID FOR BUILDING DESIGN AND CONSTRUCTION

FIGURE 11B-1A



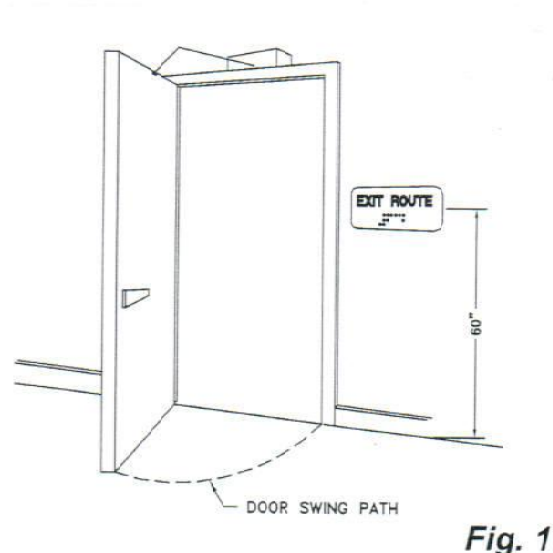
THIS DIAGRAM ILLUSTRATES THE SPECIFIC REQUIREMENTS OF ADA REGULATIONS AND IS INTENDED ONLY AS AN AID FOR BUILDING DESIGN AND CONSTRUCTION

FIGURE 11B-1A



THIS DIAGRAM ILLUSTRATES THE SPECIFIC REQUIREMENTS OF ADA REGULATIONS AND IS INTENDED ONLY AS AN AID FOR BUILDING DESIGN AND CONSTRUCTION

FIGURE 11B-1B

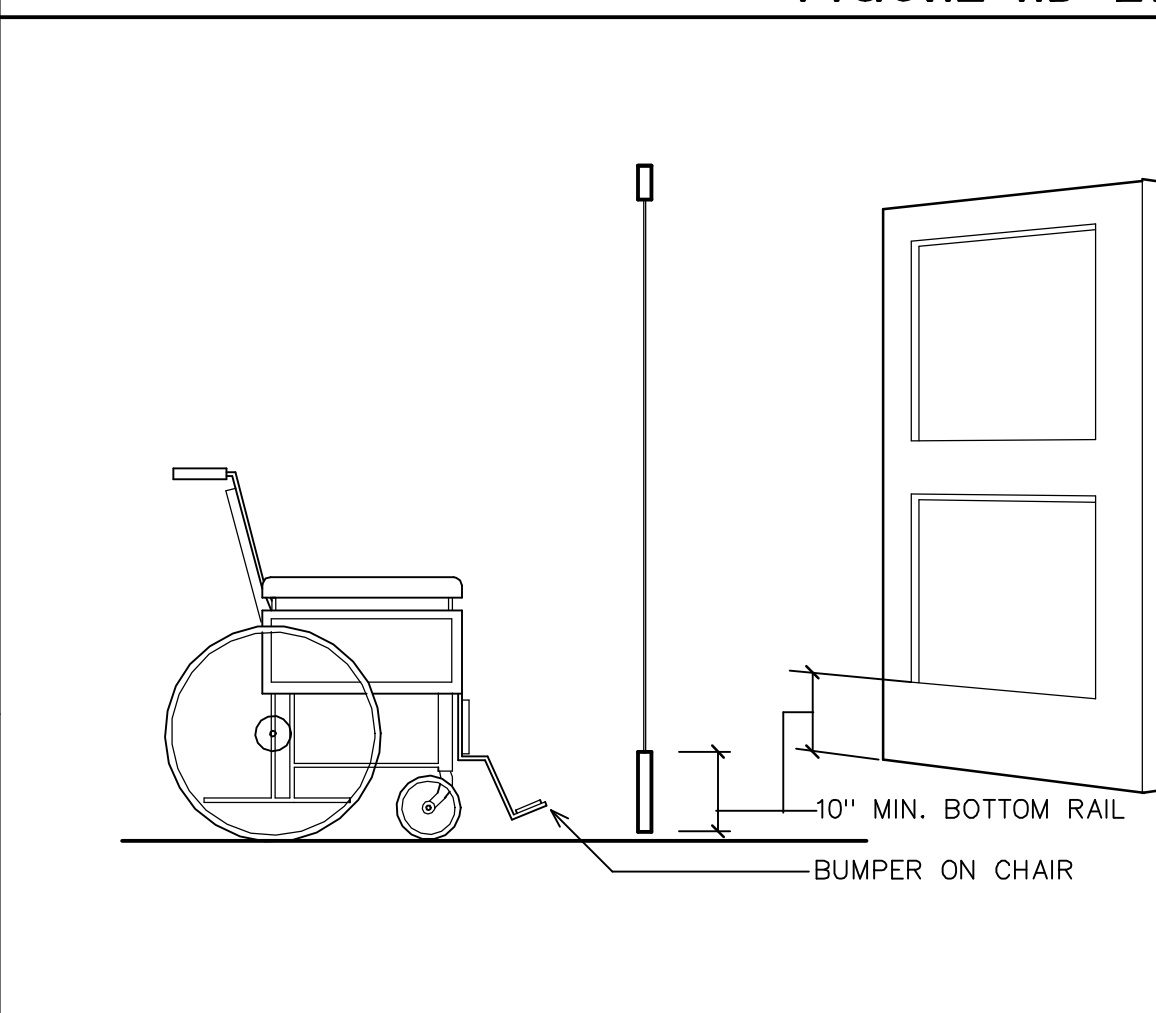


Where required, tactile exit signs shall be required of the following footcandle:

- Each grade-level exterior exit door shall be identified by a tactile exit sign with the word, "EXIT".
- Each exit door that leads directly to a grade-level exterior exit by means of an exit enclosure or an exit passageway shall be identified by a tactile exit sign with the following words as appropriate:
 - "EXIT STAIR DOWN"
 - "EXIT RAMP DOWN"
 - "EXIT STAIR UP"
 - "EXIT RAMP UP"
- Each exit door that leads directly to a grade-level exterior exit by means of an exit enclosure or an exit passageway shall be identified by a tactile exit sign with the words "EXIT ROUTE".
- Each exit door through a horizontal exit shall be identified by a sign with the words, "TO EXIT".

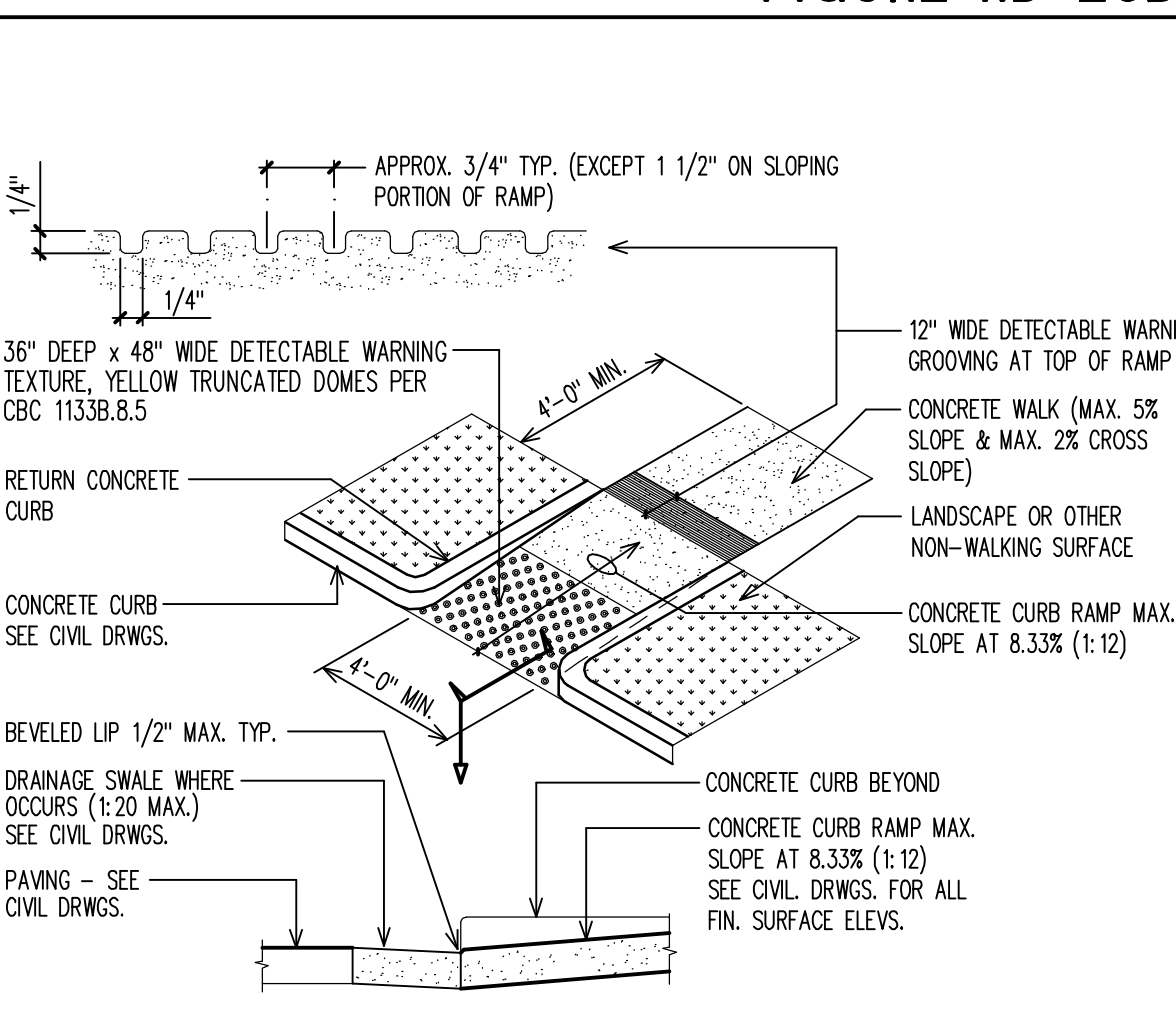
FIGURE 11B-27

TACTILE SIGN



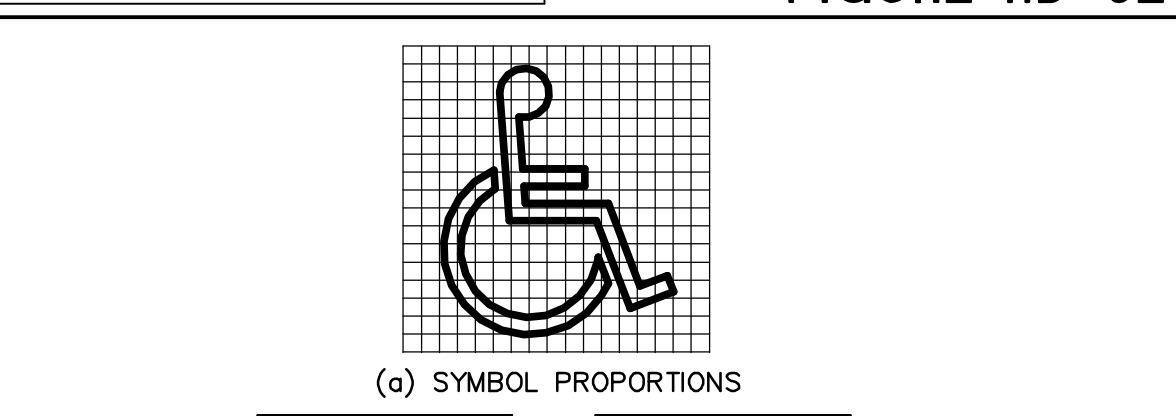
THIS DIAGRAM ILLUSTRATES THE SPECIFIC REQUIREMENTS OF ADA REGULATIONS AND IS INTENDED ONLY AS AN AID FOR BUILDING DESIGN AND CONSTRUCTION

FIGURE 11B-27



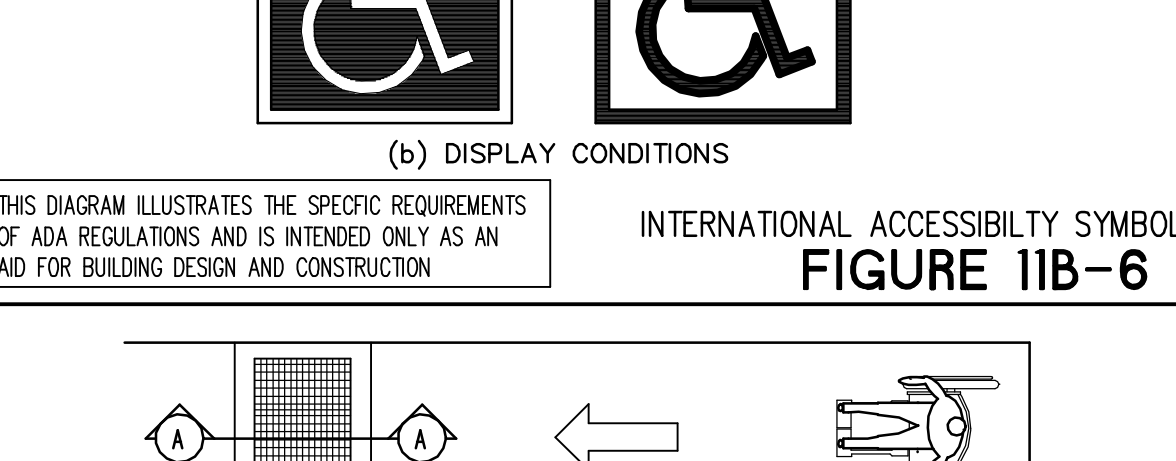
THIS DIAGRAM ILLUSTRATES THE SPECIFIC REQUIREMENTS OF ADA REGULATIONS AND IS INTENDED ONLY AS AN AID FOR BUILDING DESIGN AND CONSTRUCTION

FIGURE 11B-20D



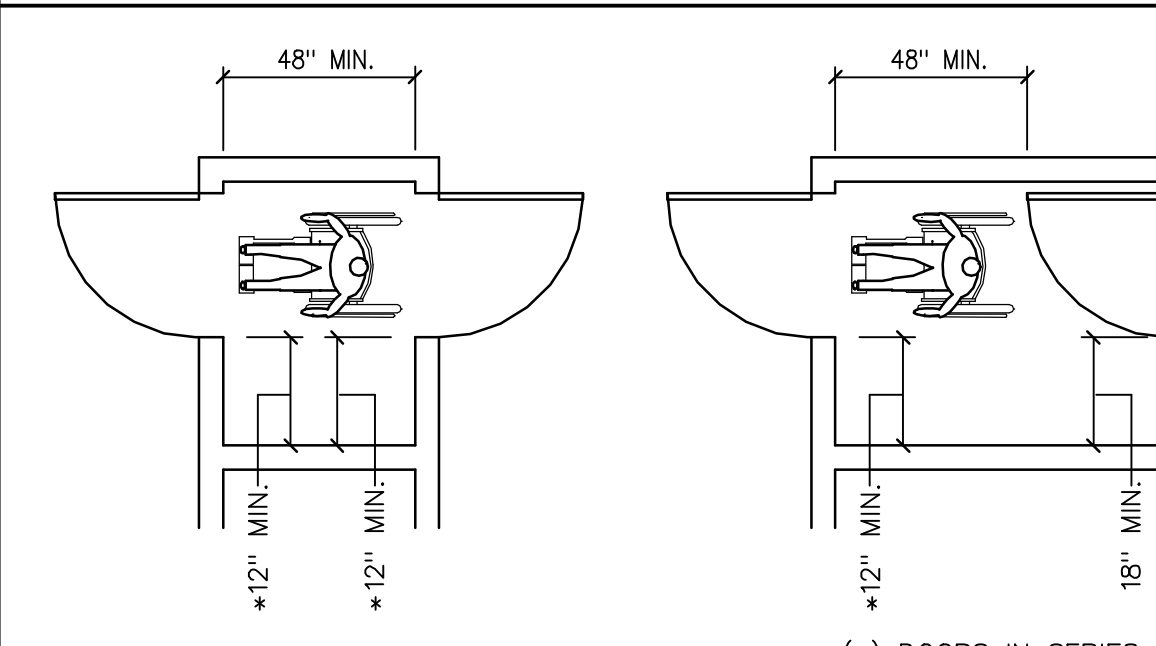
THIS DIAGRAM ILLUSTRATES THE SPECIFIC REQUIREMENTS OF ADA REGULATIONS AND IS INTENDED ONLY AS AN AID FOR BUILDING DESIGN AND CONSTRUCTION

FIGURE 11B-6



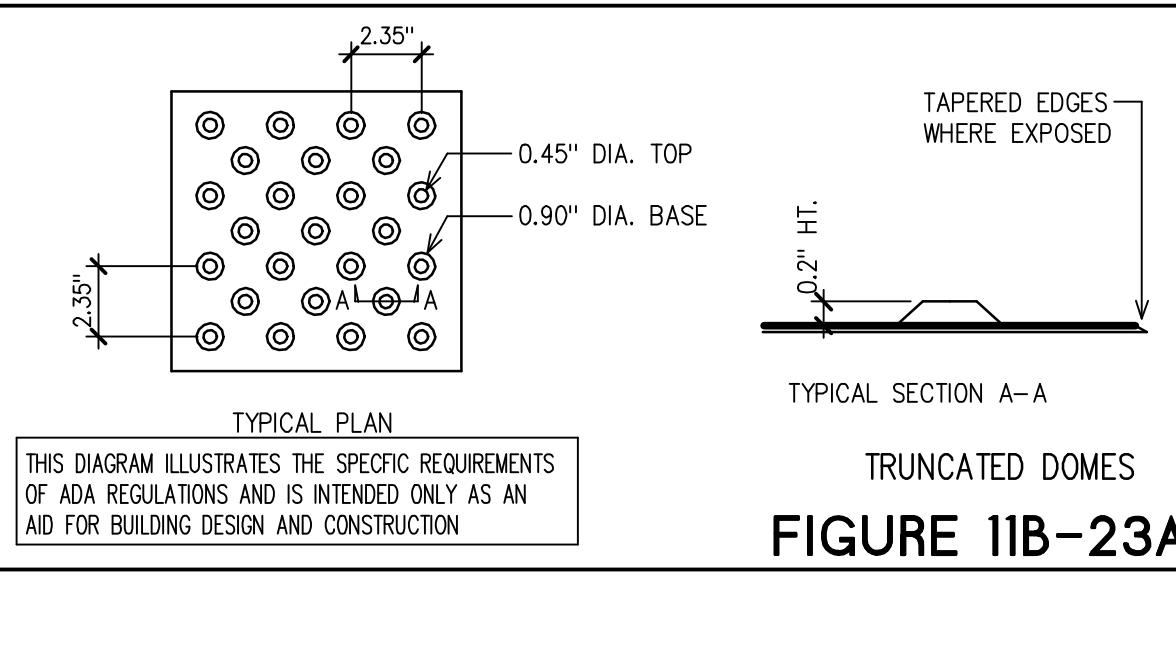
THIS DIAGRAM ILLUSTRATES THE SPECIFIC REQUIREMENTS OF ADA REGULATIONS AND IS INTENDED ONLY AS AN AID FOR BUILDING DESIGN AND CONSTRUCTION

FIGURE 11B-7E



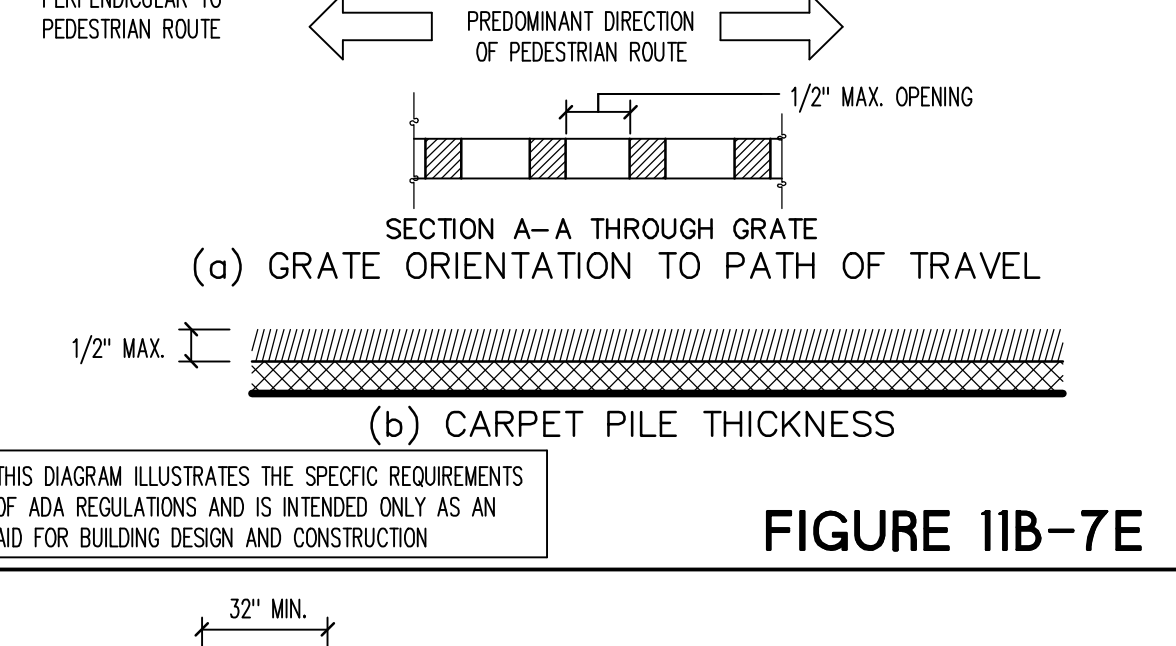
THIS DIAGRAM ILLUSTRATES THE SPECIFIC REQUIREMENTS OF ADA REGULATIONS AND IS INTENDED ONLY AS AN AID FOR BUILDING DESIGN AND CONSTRUCTION

FIGURE 11B-30



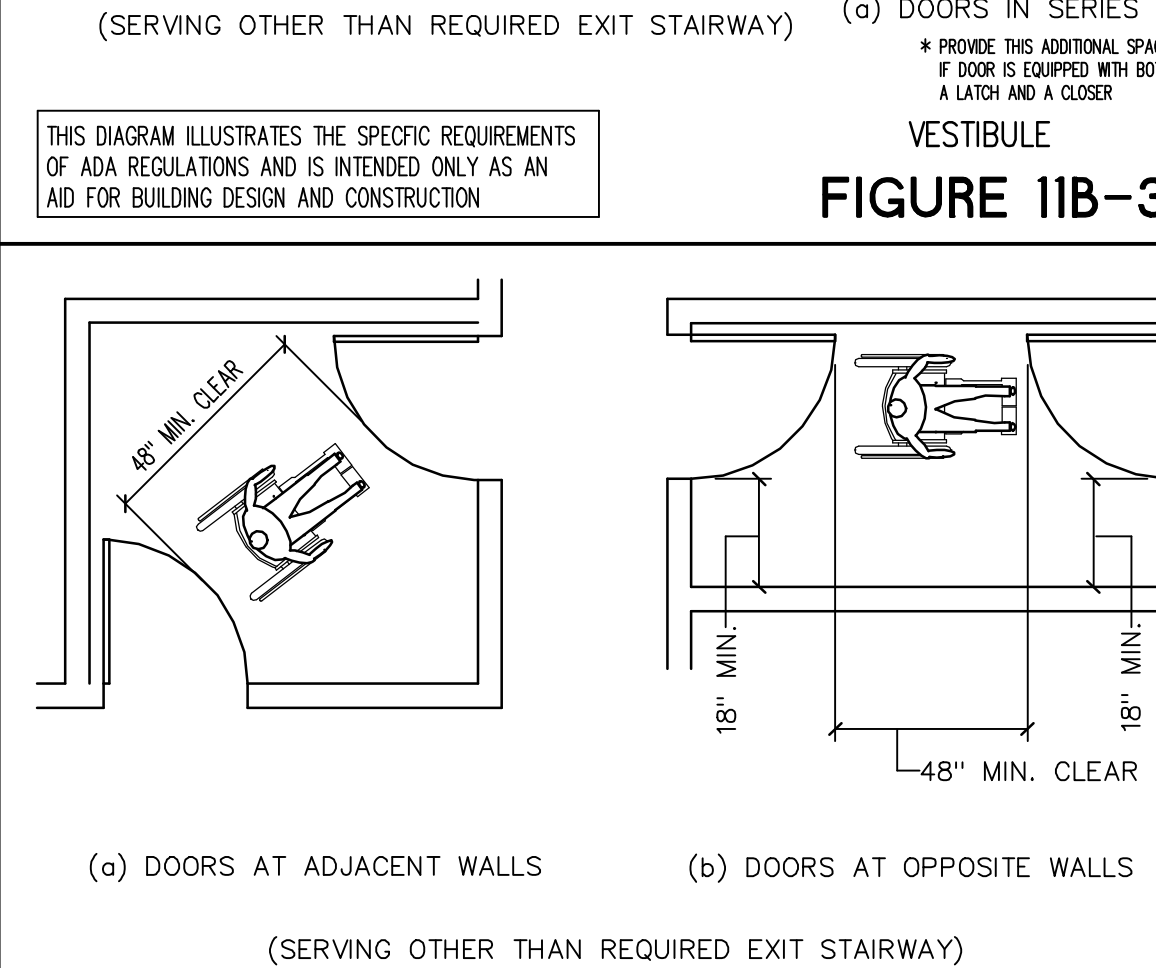
THIS DIAGRAM ILLUSTRATES THE SPECIFIC REQUIREMENTS OF ADA REGULATIONS AND IS INTENDED ONLY AS AN AID FOR BUILDING DESIGN AND CONSTRUCTION

FIGURE 11B-23A



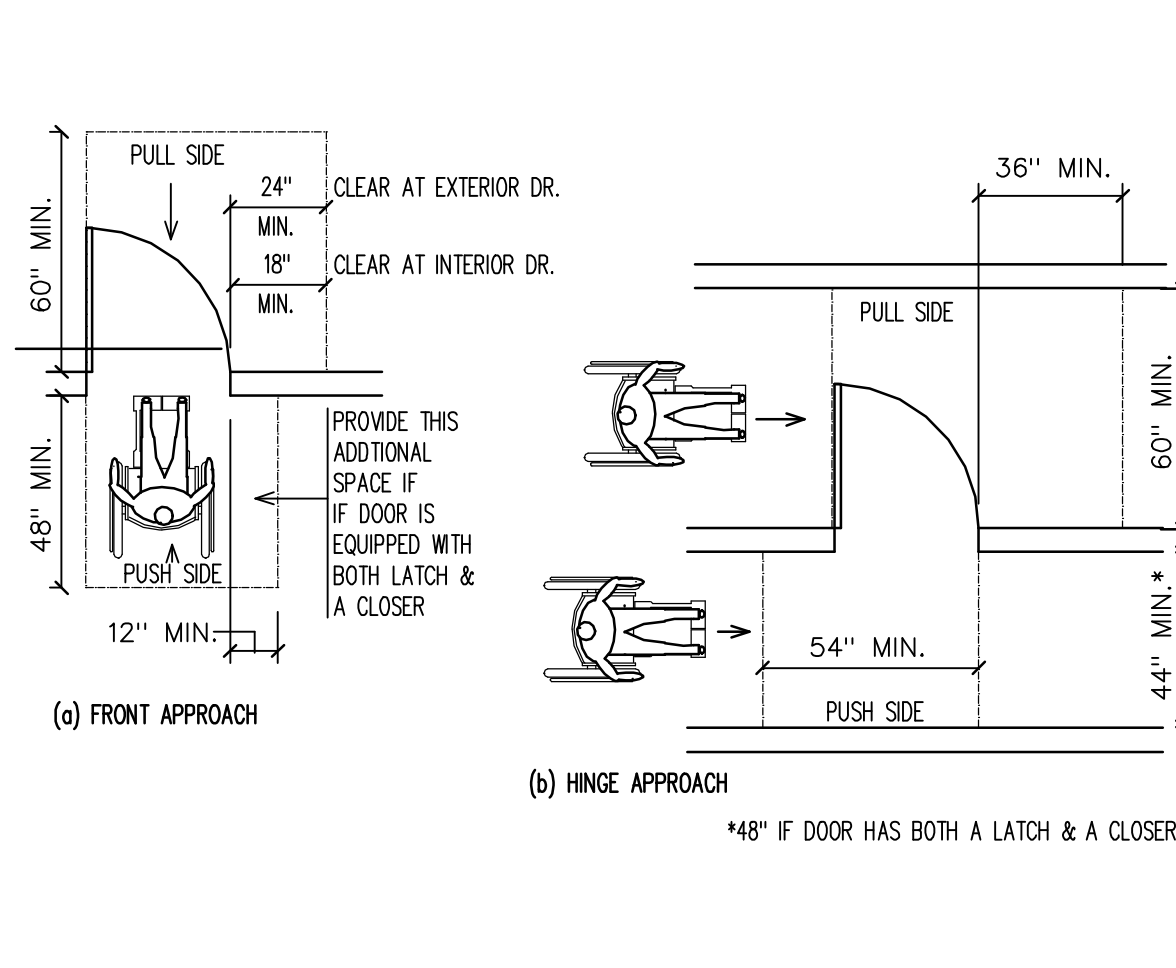
THIS DIAGRAM ILLUSTRATES THE SPECIFIC REQUIREMENTS OF ADA REGULATIONS AND IS INTENDED ONLY AS AN AID FOR BUILDING DESIGN AND CONSTRUCTION

FIGURE 11B-7E



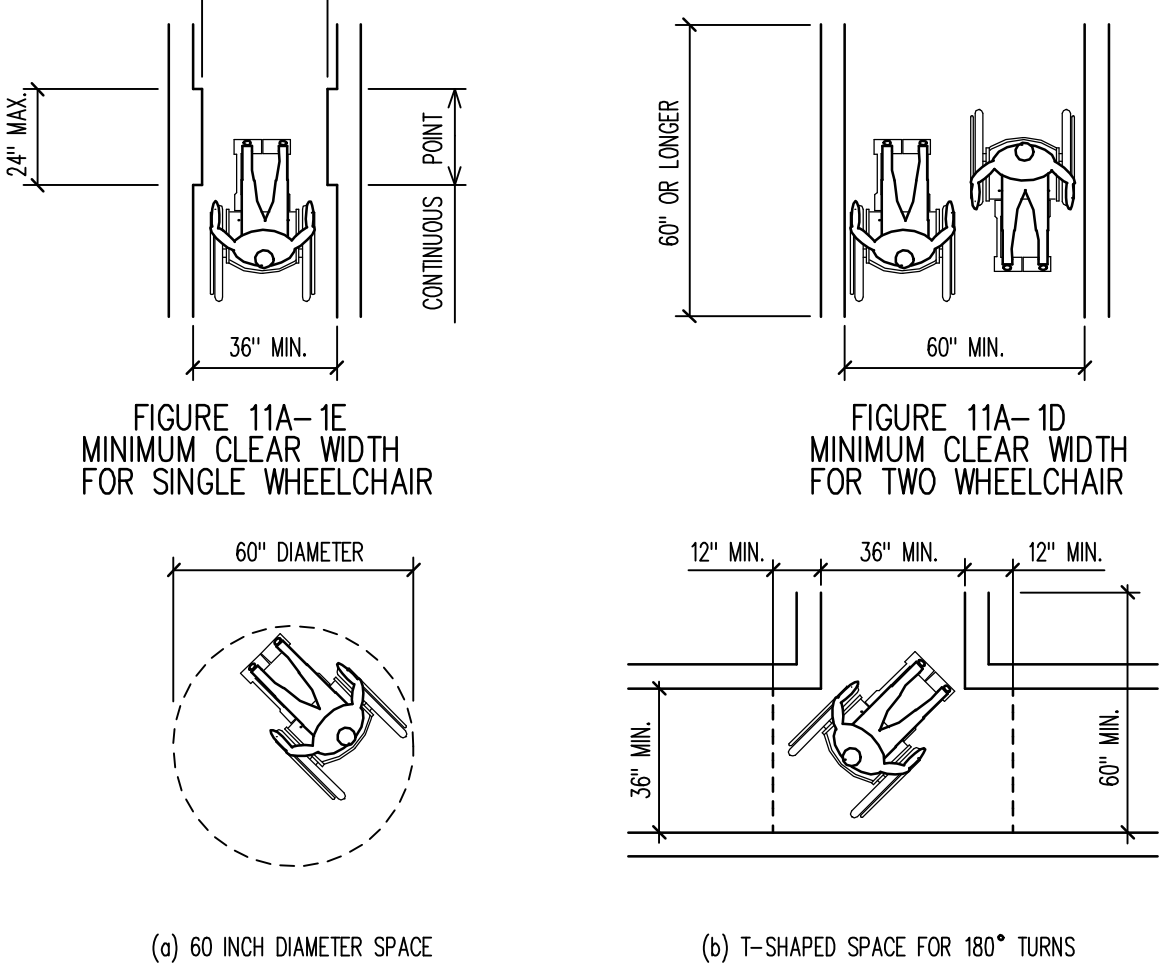
THIS DIAGRAM ILLUSTRATES THE SPECIFIC REQUIREMENTS OF ADA REGULATIONS AND IS INTENDED ONLY AS AN AID FOR BUILDING DESIGN AND CONSTRUCTION

FIGURE 11B-31



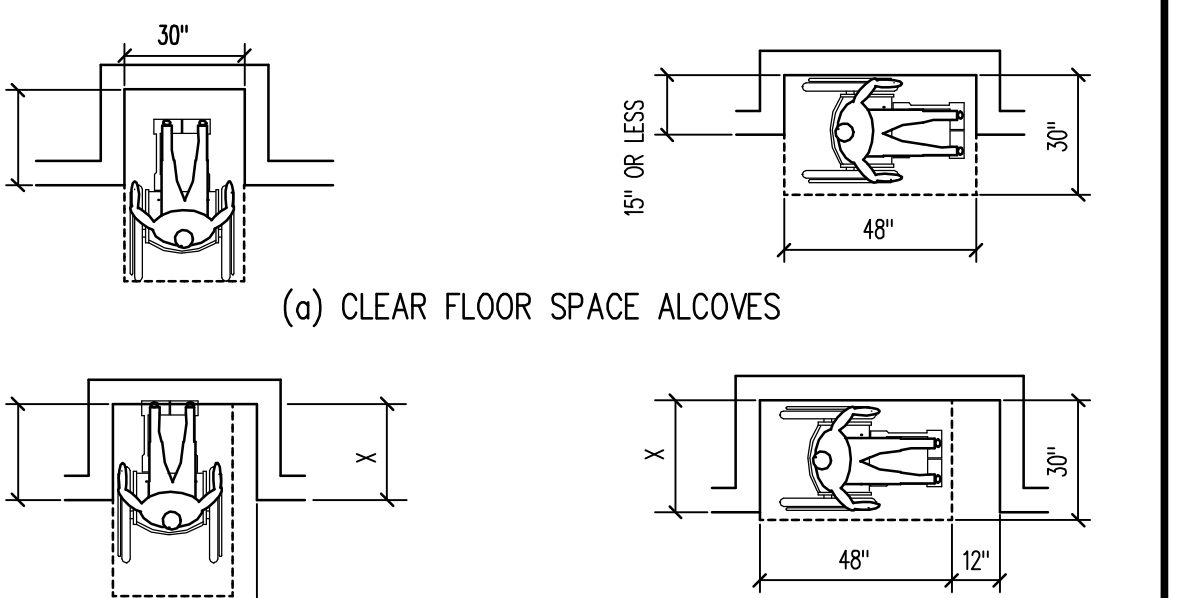
THIS DIAGRAM ILLUSTRATES THE SPECIFIC REQUIREMENTS OF ADA REGULATIONS AND IS INTENDED ONLY AS AN AID FOR BUILDING DESIGN AND CONSTRUCTION

FIGURE 11B-26A



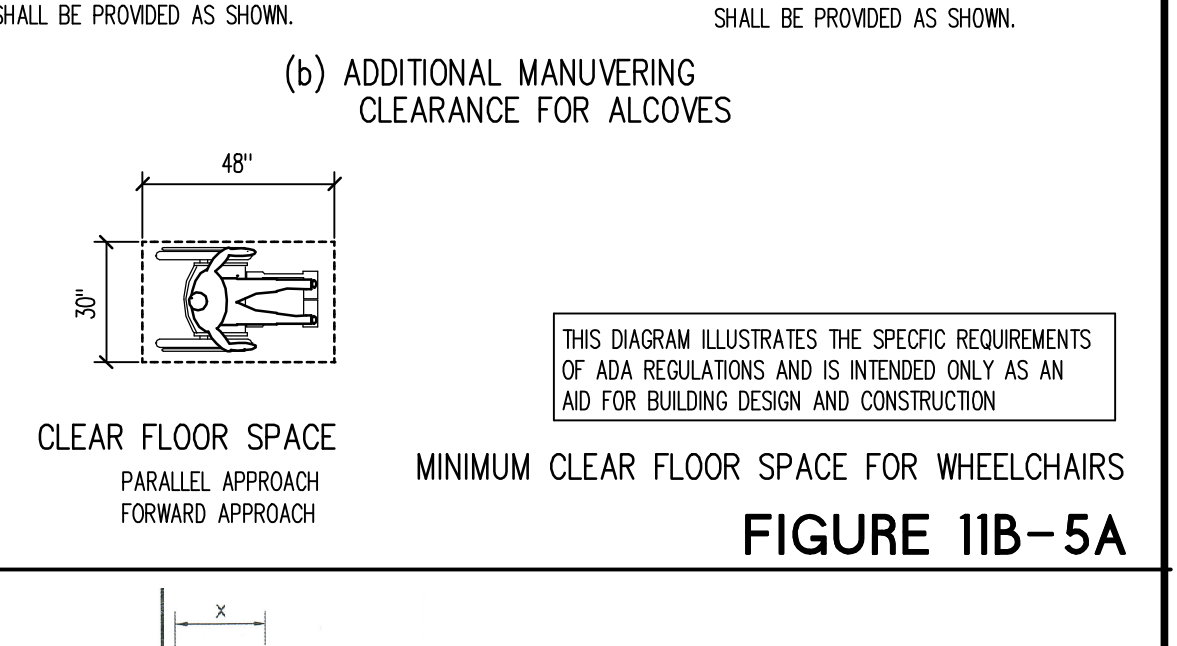
THIS DIAGRAM ILLUSTRATES THE SPECIFIC REQUIREMENTS OF ADA REGULATIONS AND IS INTENDED ONLY AS AN AID FOR BUILDING DESIGN AND CONSTRUCTION

FIGURE 11B-12



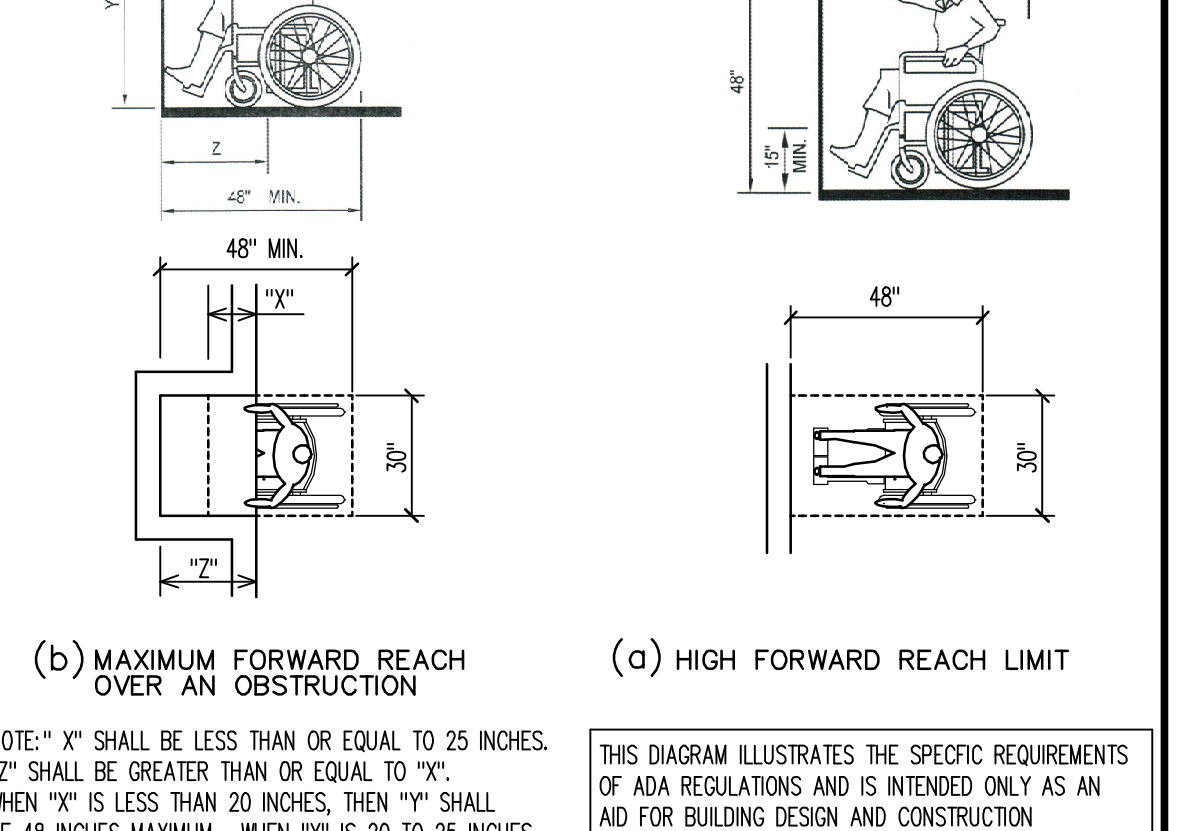
THIS DIAGRAM ILLUSTRATES THE SPECIFIC REQUIREMENTS OF ADA REGULATIONS AND IS INTENDED ONLY AS AN AID FOR BUILDING DESIGN AND CONSTRUCTION

FIGURE 11B-5A



THIS DIAGRAM ILLUSTRATES THE SPECIFIC REQUIREMENTS OF ADA REGULATIONS AND IS INTENDED ONLY AS AN AID FOR BUILDING DESIGN AND CONSTRUCTION

FIGURE 11B-5A

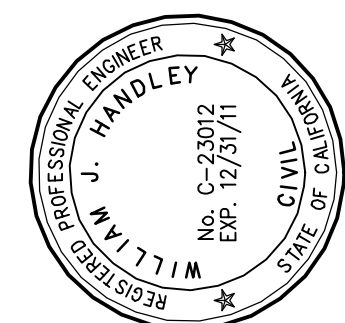


THIS DIAGRAM ILLUSTRATES THE SPECIFIC REQUIREMENTS OF ADA REGULATIONS AND IS INTENDED ONLY AS AN AID FOR BUILDING DESIGN AND CONSTRUCTION

FIGURE 11B-5C

NO.	REVISION	BY	DATE

HANDLEY ENGINEERING
 130 EL CAMINO REAL SUITE 200
 TUSTIN, CA 92780
 (714) 669-1141



NEW PROFESSIONAL OFFICE FOR:
JAMES HOCH, D.D.S.
 32246 CLINTON KEITH ROAD, WILDOMAR, CA 92595

DATE:	11/28/11
JOB NO:	11-23
DRAWN:	WJH
CHECKED:	WJH
SCALE:	NONE
SHEET	A-8.1
OF SHEETS	