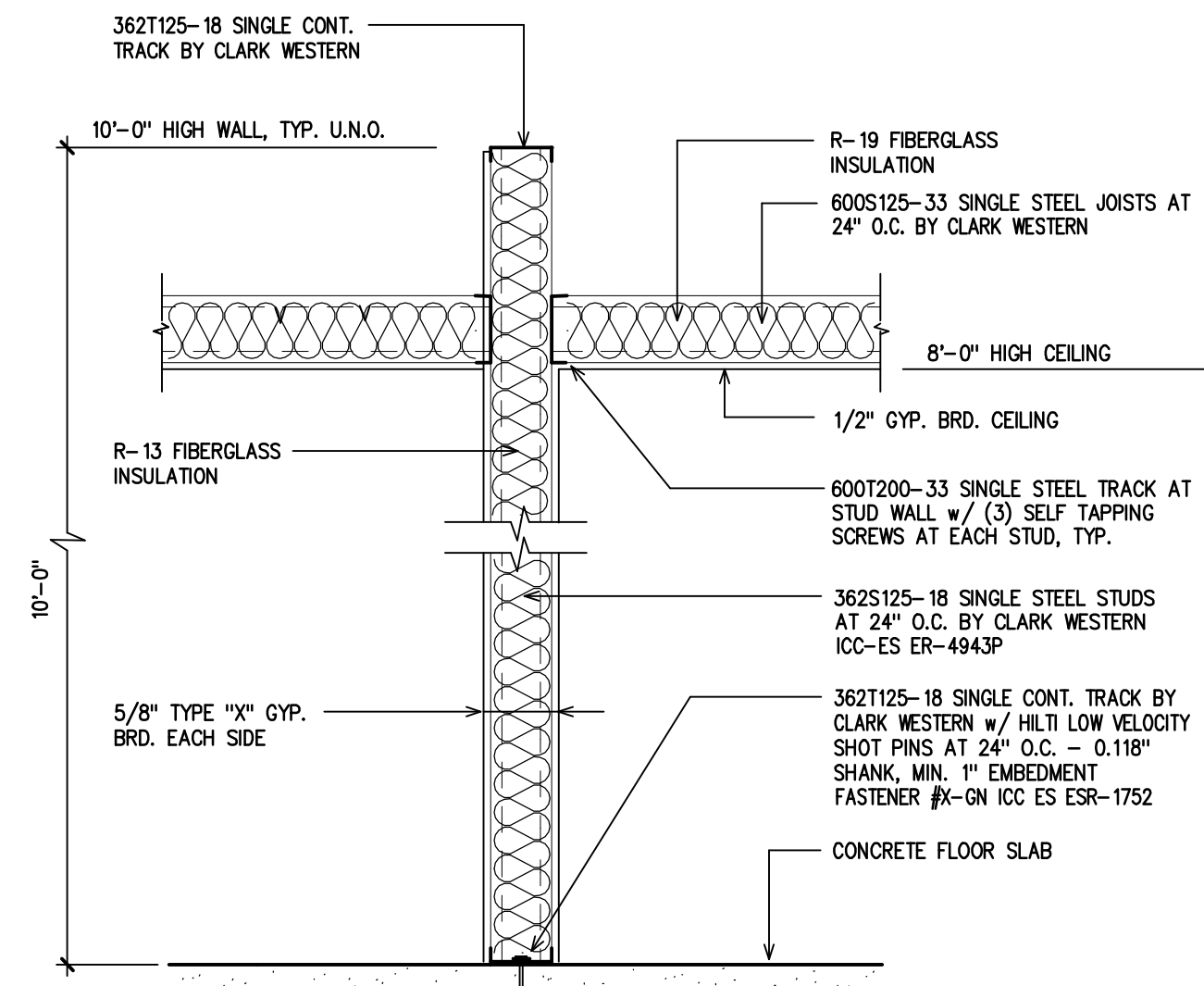


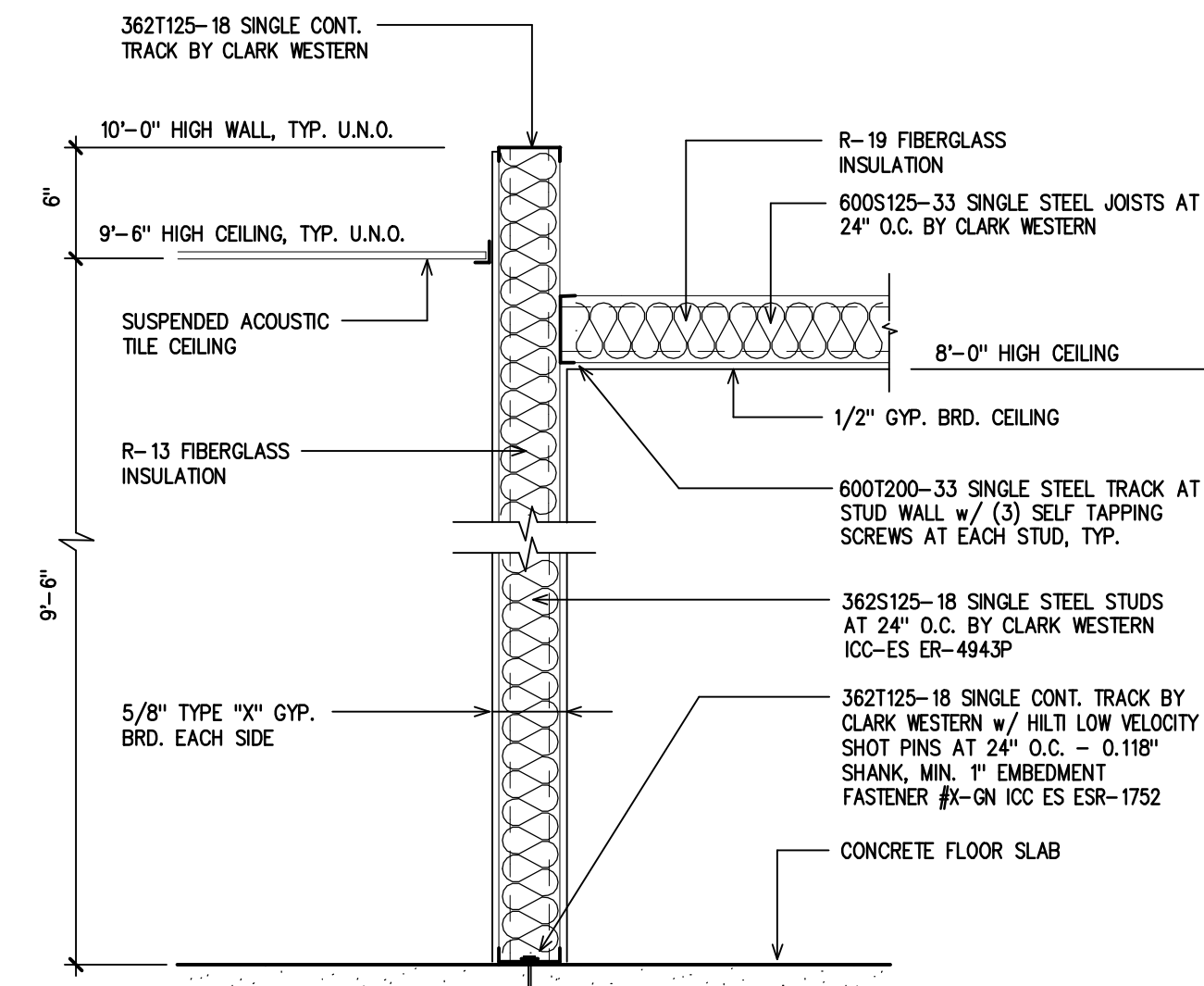
NON-BEARING INTERIOR PARTITION

9



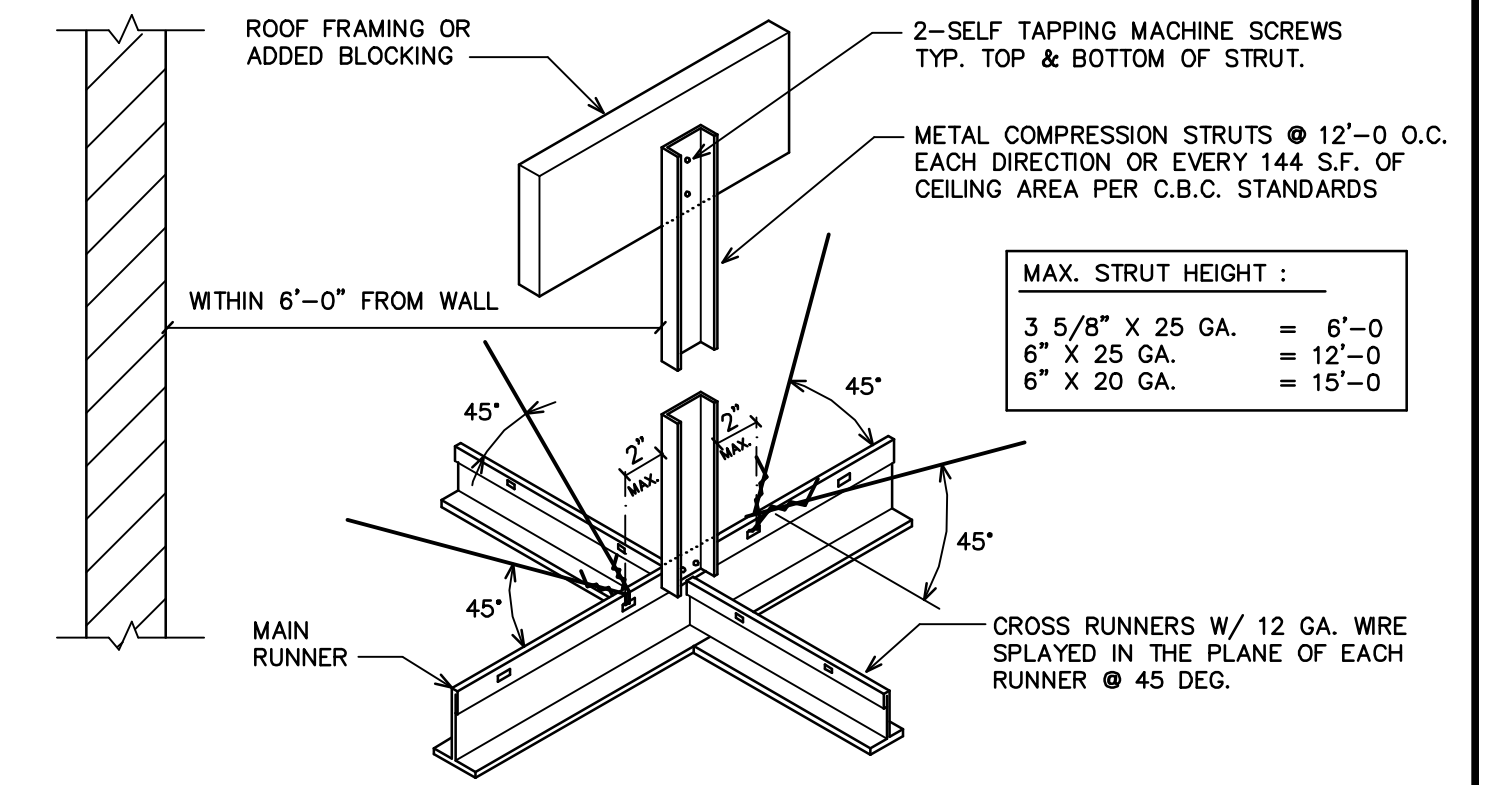
NON-BEARING INTERIOR PARTITION

6

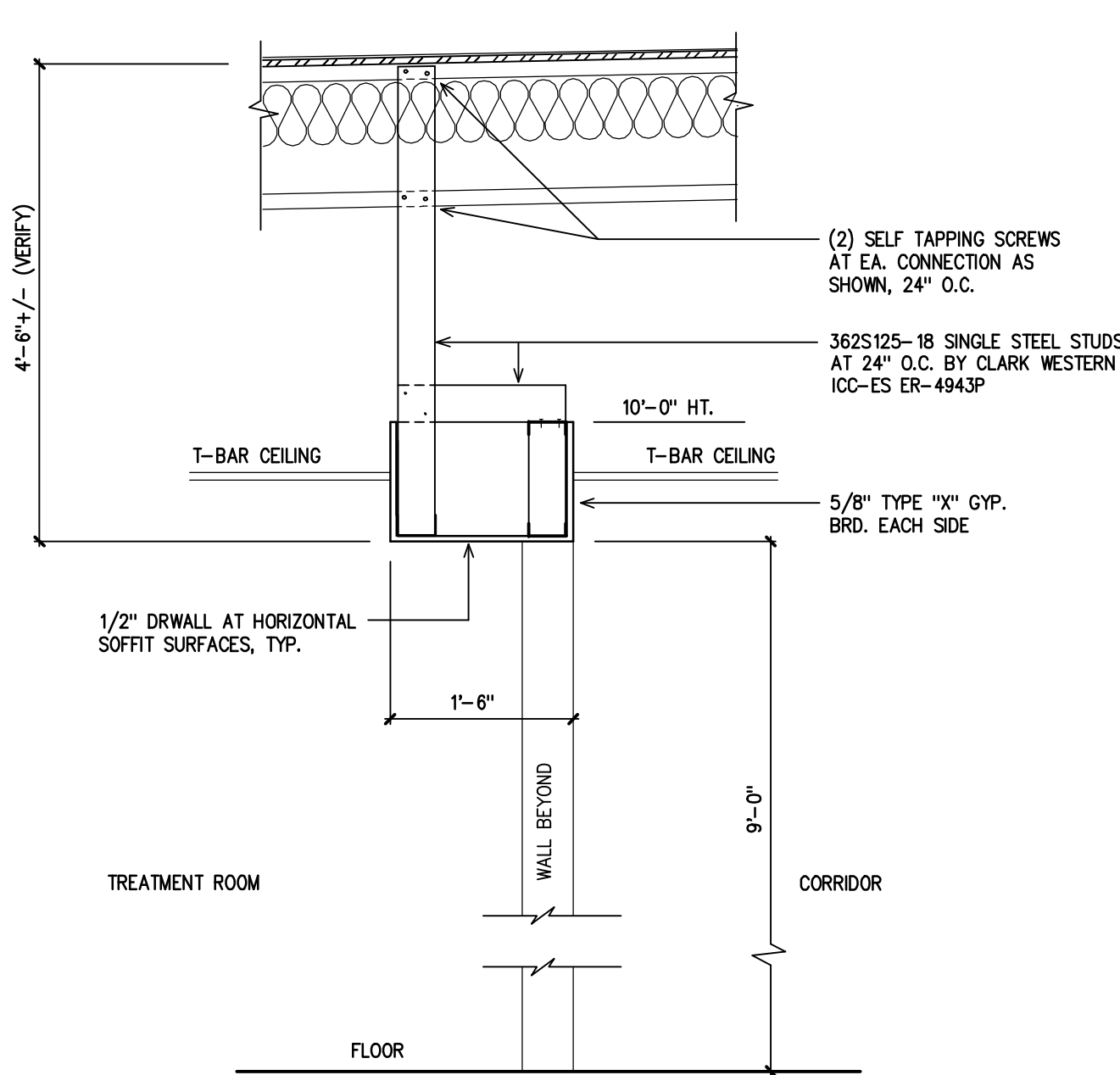


NON-BEARING INTERIOR PARTITION

3

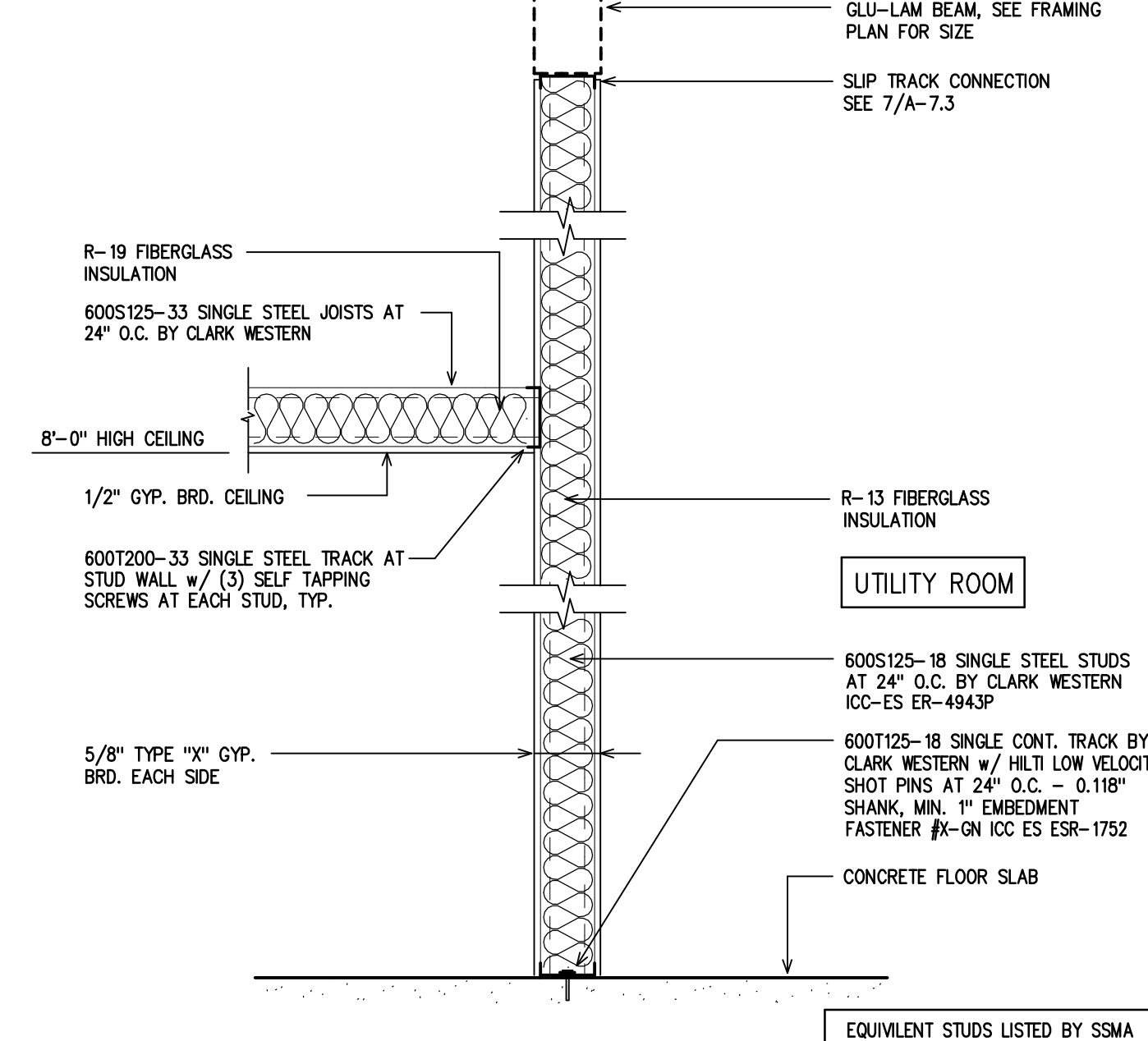


- NOTES:
1. PROVIDE SEISMIC TIES AS SHOWN @ 12'-0 O.C. EACH DIRECTION MAX. SPACING.
 2. ALL 24" X 48" CEILING LIGHT FIXTURES & 24" X 24" HVAC AIR REGISTERS SHALL BE SUPPORTED BY A MIN. OF (2) TWO HANGERS @ OPPOSITE CORNERS. CEILING SYSTEM SHALL NOT SUPPORT OTHER ITEMS.
 3. ALL INTERIOR WALL & CEILING FINISHES SHALL BE INSTALLED IN ACCORDANCE WITH 2010 C.B.C. & SHALL BE FLAME SPREAD CLASS III MIN.
 4. SUSPENSION SYSTEM : I.C.C. ESR-1308



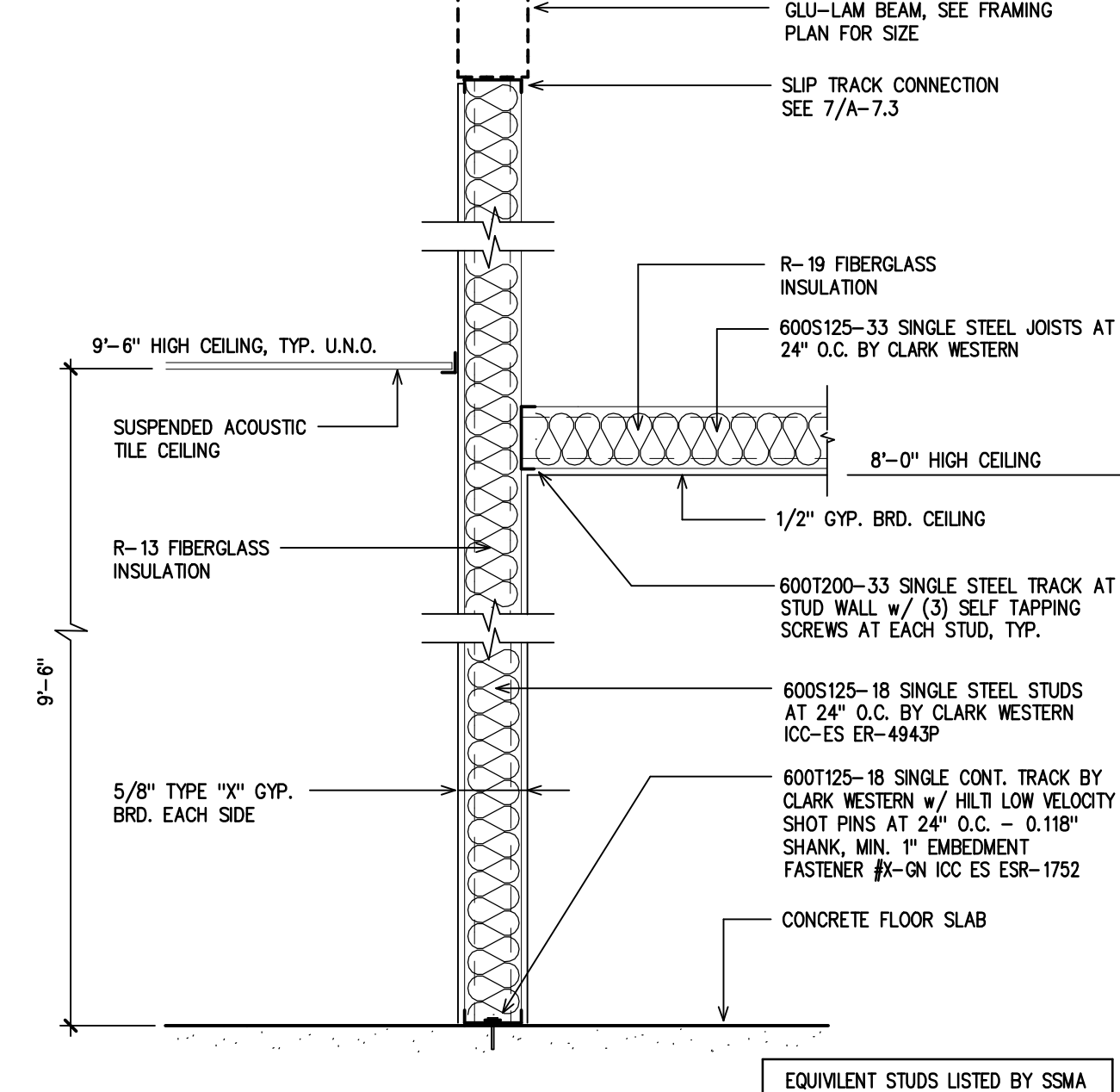
TYPICAL SOFFIT DETAIL

10



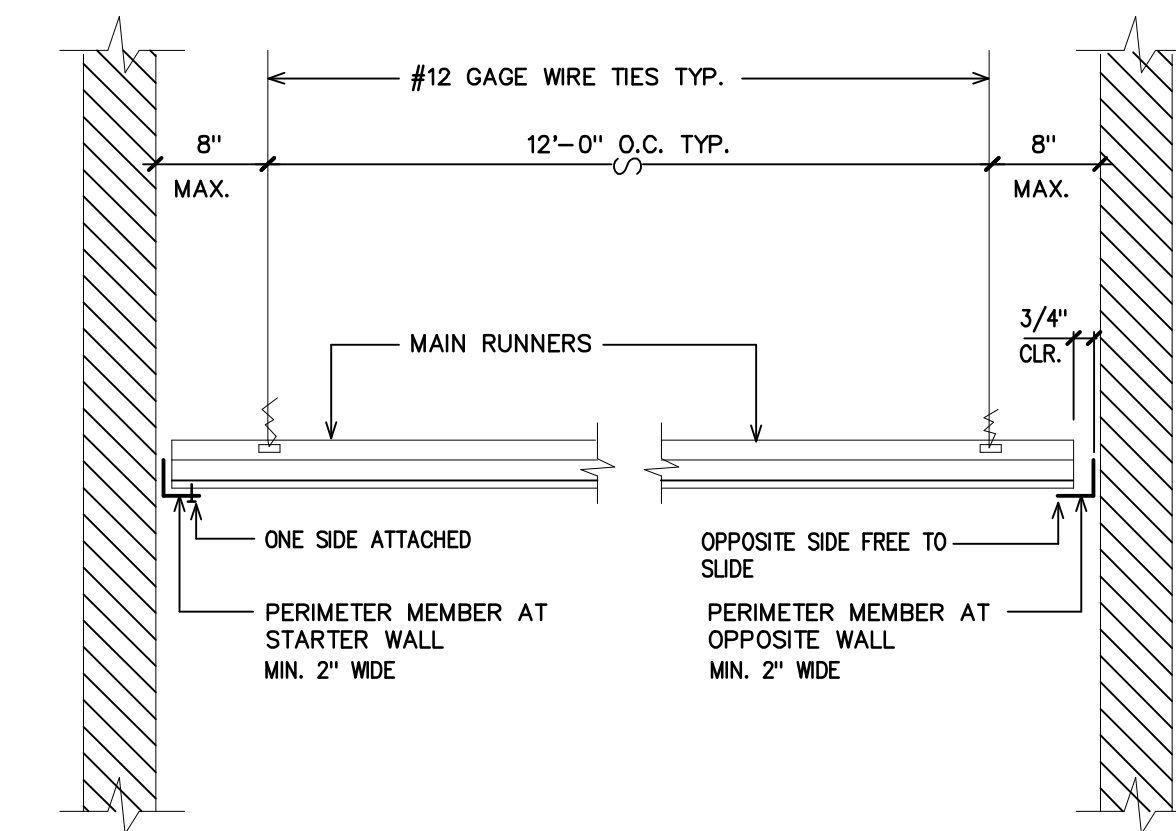
NON-BEARING INTERIOR PARTITION

7



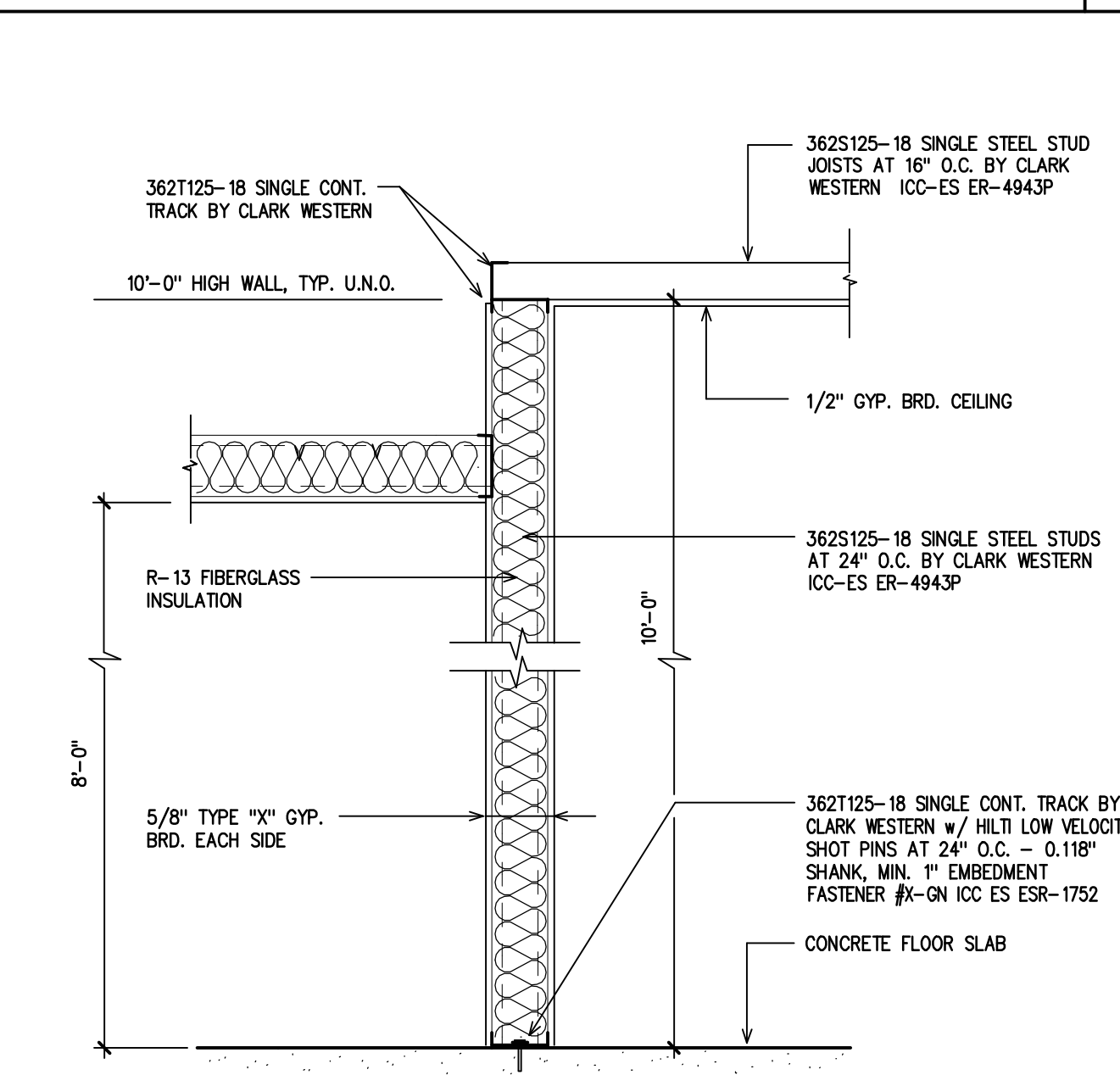
NON-BEARING INTERIOR PARTITION

4



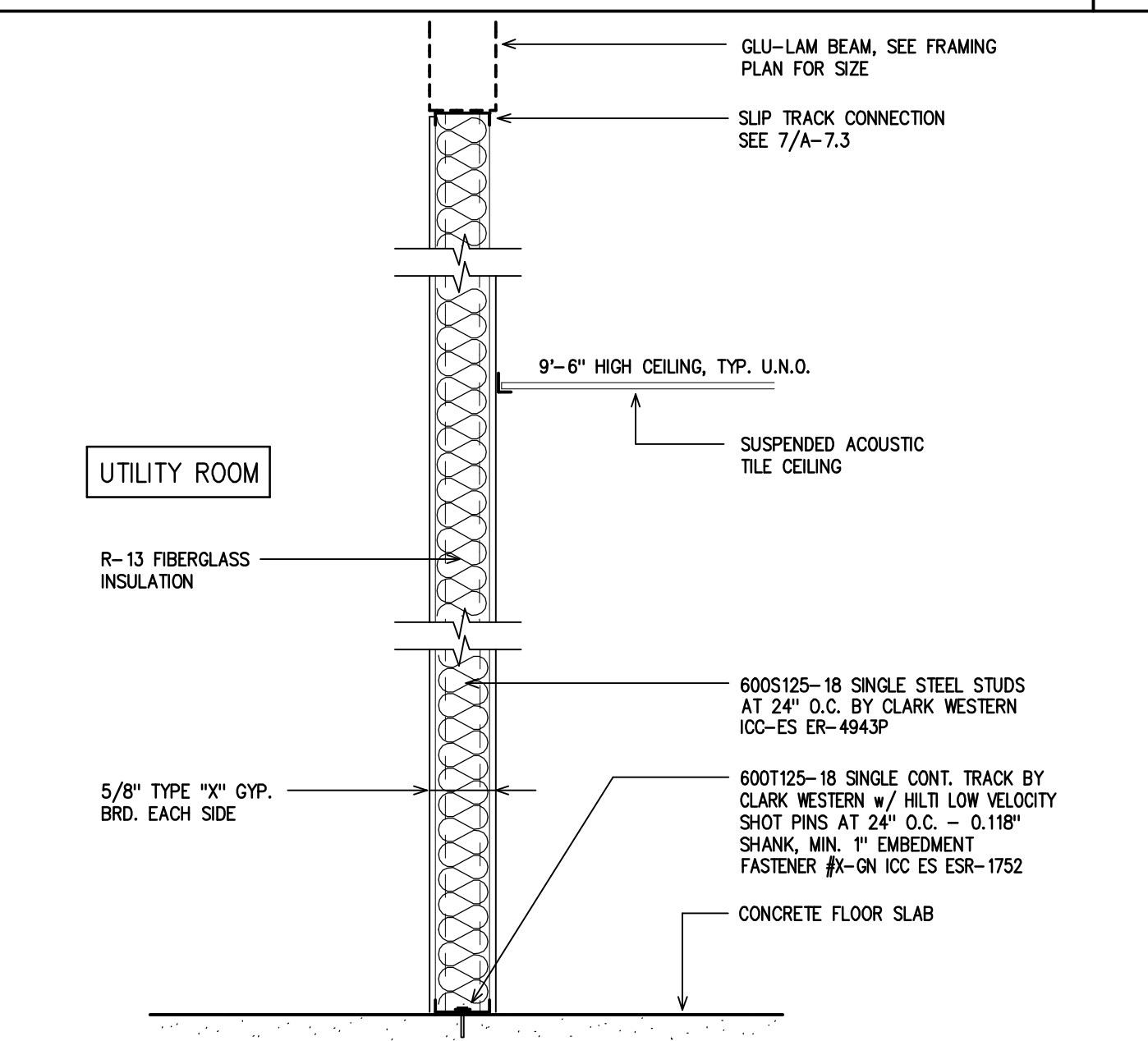
SUSPENDED CEILING DETAIL

1



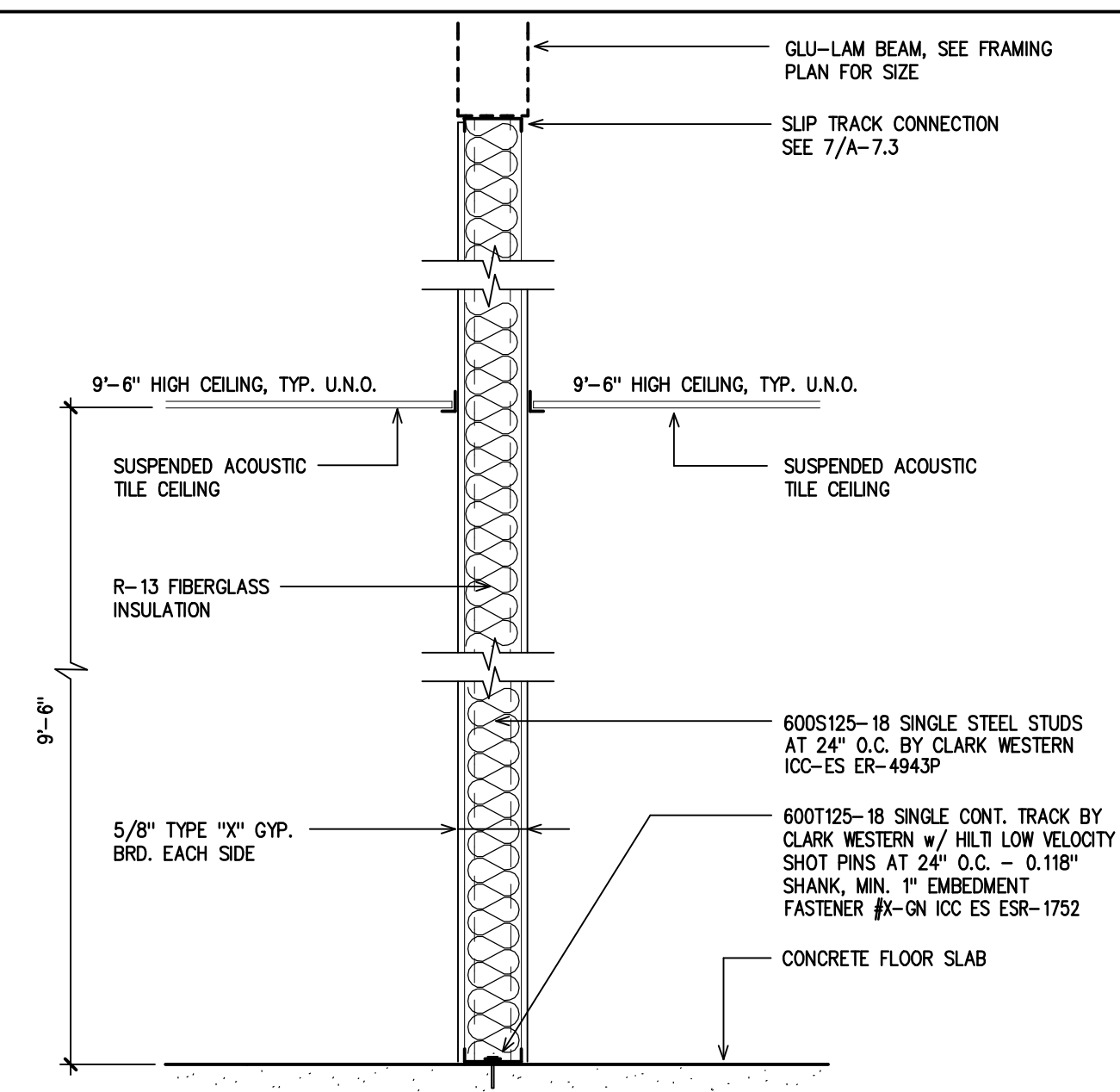
NON-BEARING INTERIOR PARTITION

11



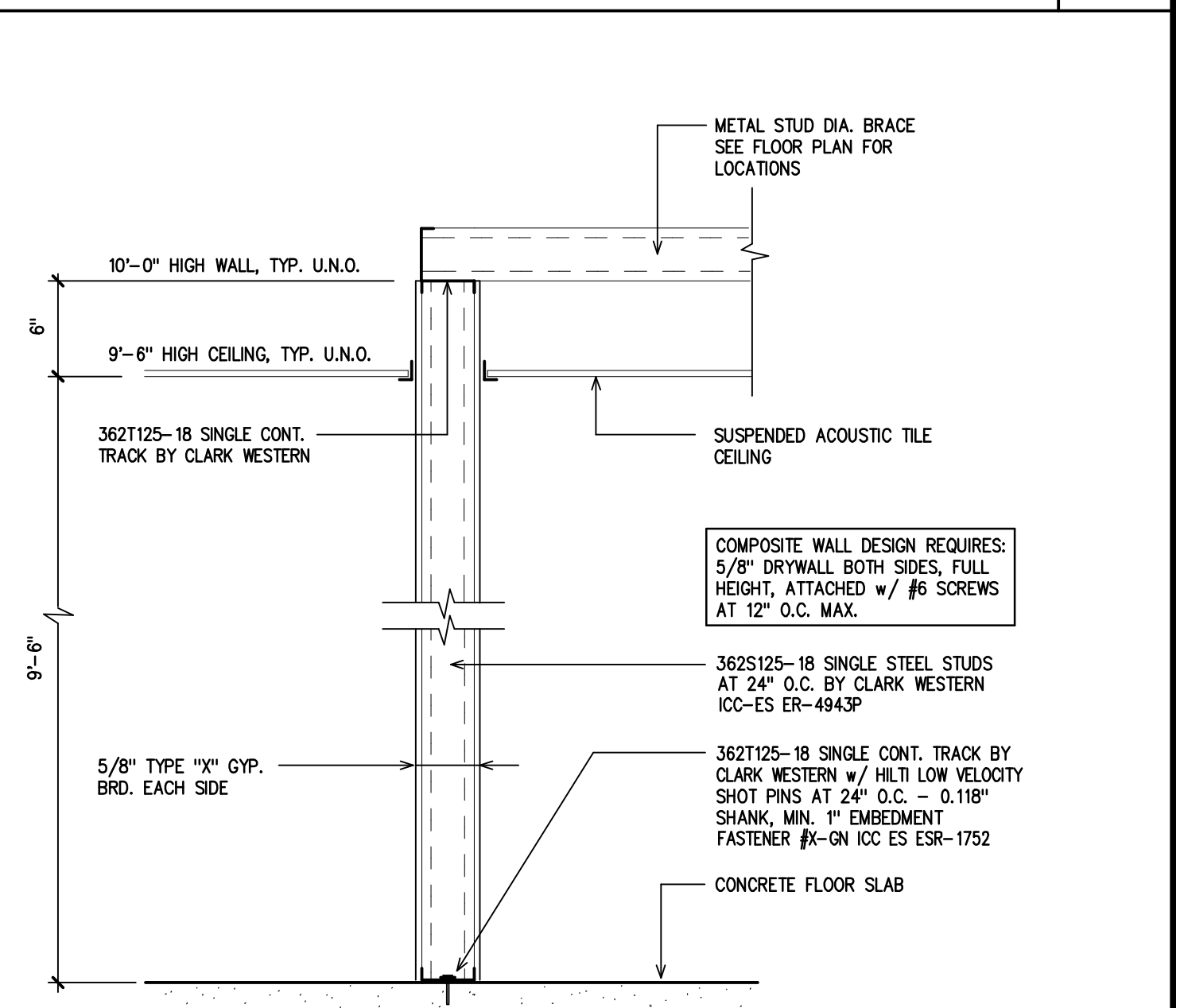
NON-BEARING INTERIOR PARTITION

8



NON-BEARING INTERIOR PARTITION

5

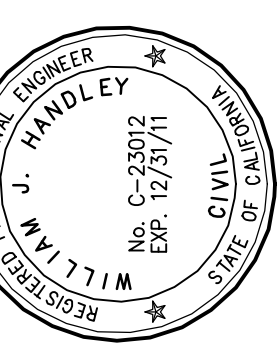


NON-BEARING INTERIOR PARTITION

2

NO.	REVISION	BY	DATE

HANDLEY ENGINEERING
 130 EL CAMINO REAL TUSTIN CA 92780
 SUITE 200 (714) 669-1141



NEW PROFESSIONAL OFFICE FOR:
JAMES HOCH, D.D.S.
 32246 CLINTON KEITH ROAD, WILDOWAR, CA 92595

DATE:	11/28/11
JOB NO:	11-23
DRAWN:	WJH
CHECKED:	WJH
SCALE:	NONE
SHEET	

A-7.2
 OF SHEETS