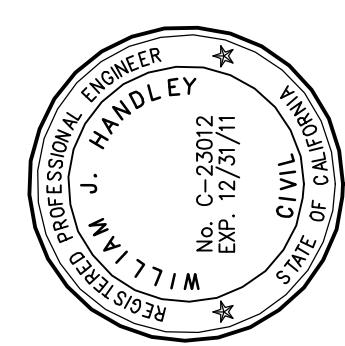


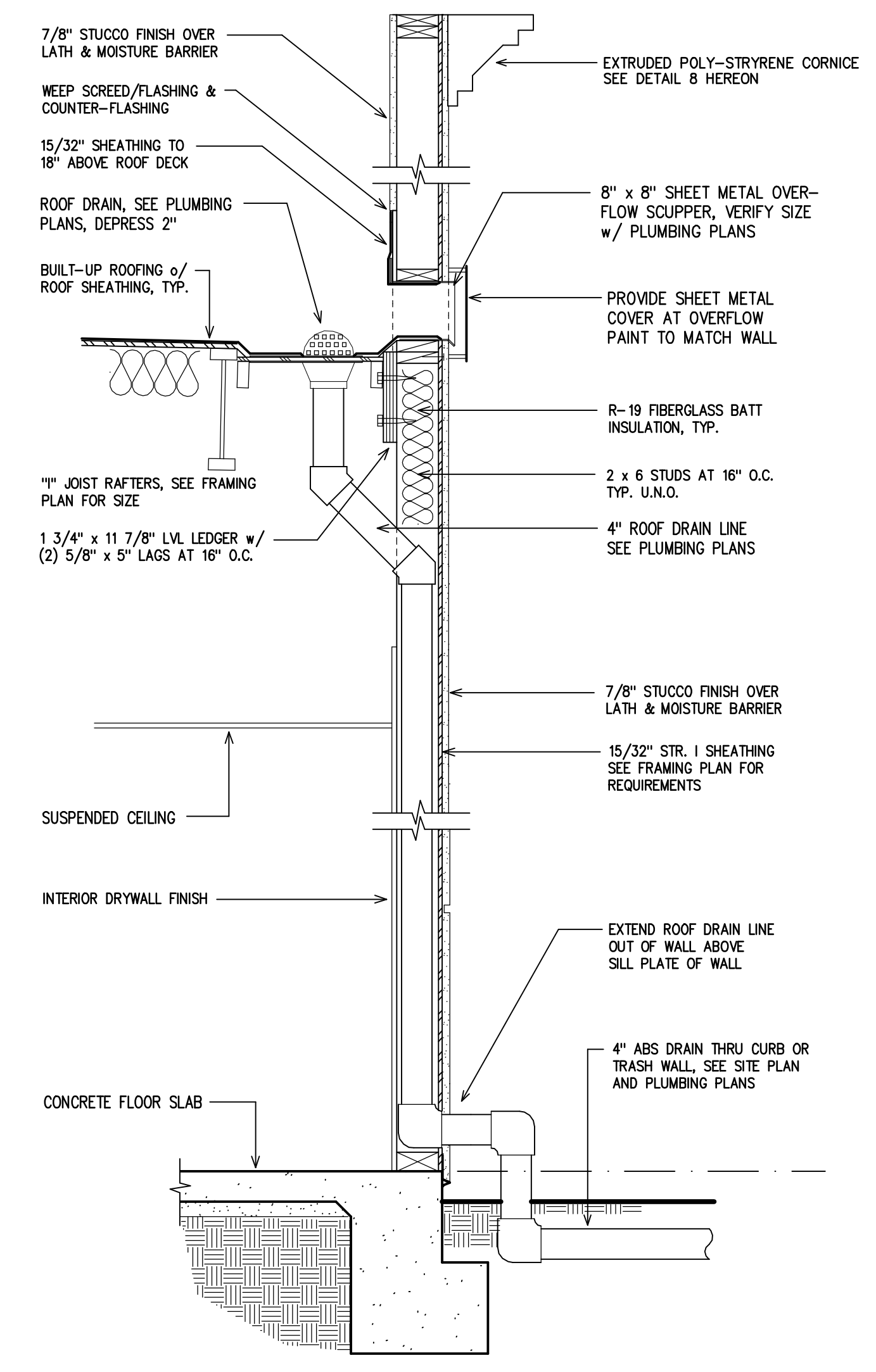
NO.	REVISION	BY	DATE

HANDLEY ENGINEERING
 130 EL CAMINO REAL SUITE 200
 TUSTIN CA 92780
 (714) 669-1141

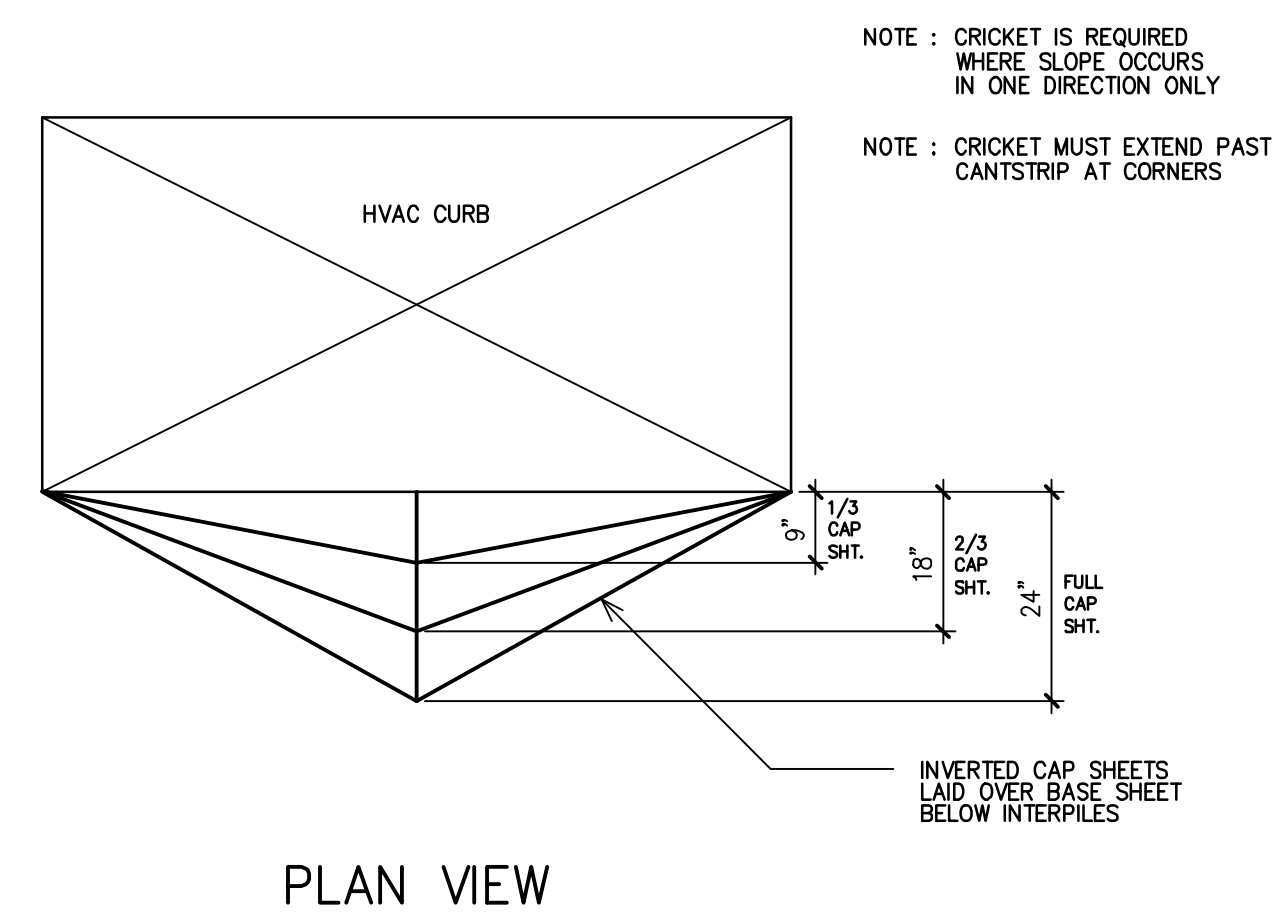


NEW PROFESSIONAL OFFICE FOR:
JAMES HOCH, D.D.S.
 32246 CLINTON KEITH ROAD, WILDOMAR, CA 92595

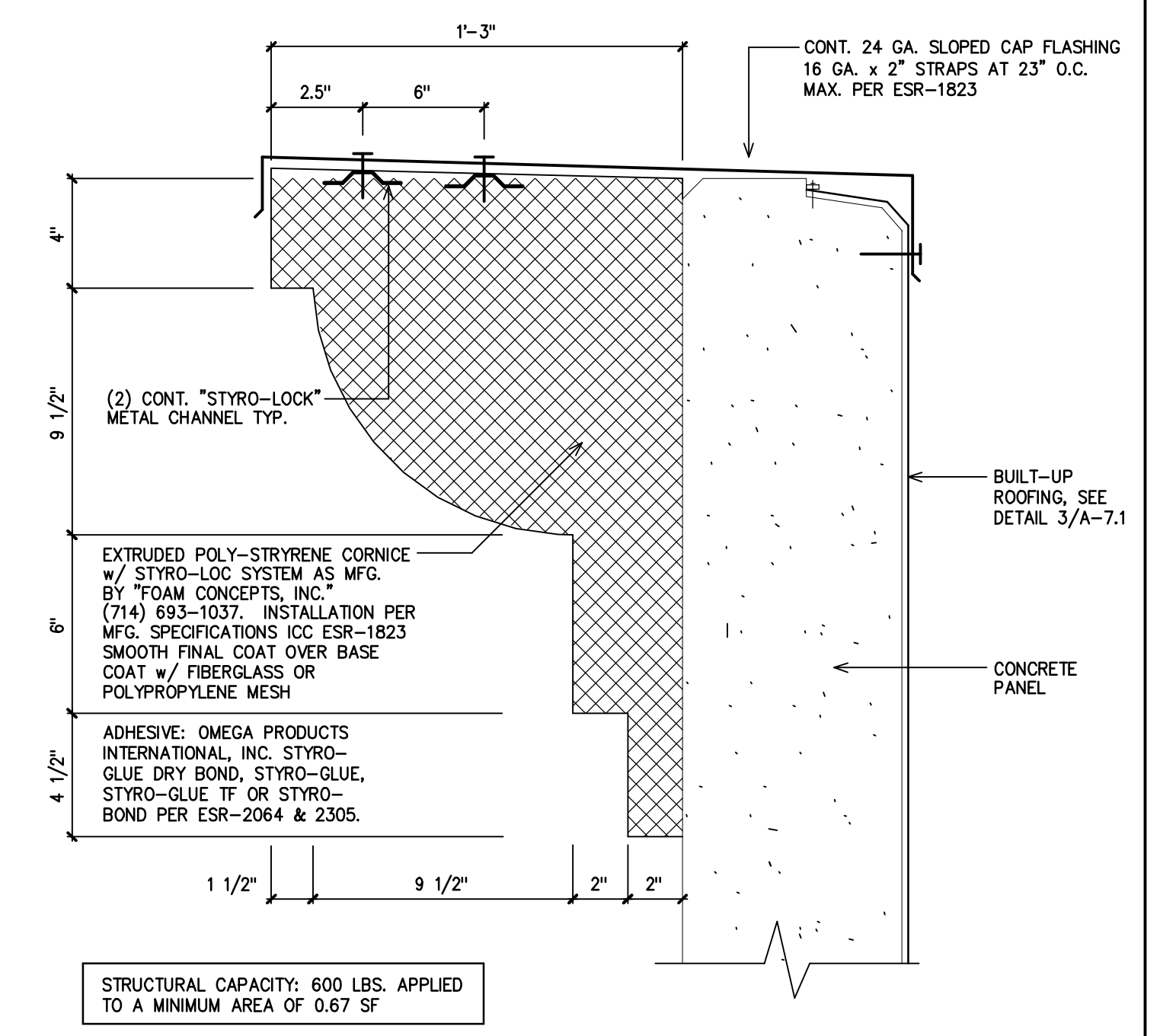
DATE: 11/28/11
 JOB NO: 11-23
 DRAWN: WJH
 CHECKED: WJH
 SCALE: NONE
 SHEET
A-7.1
 OF SHEETS



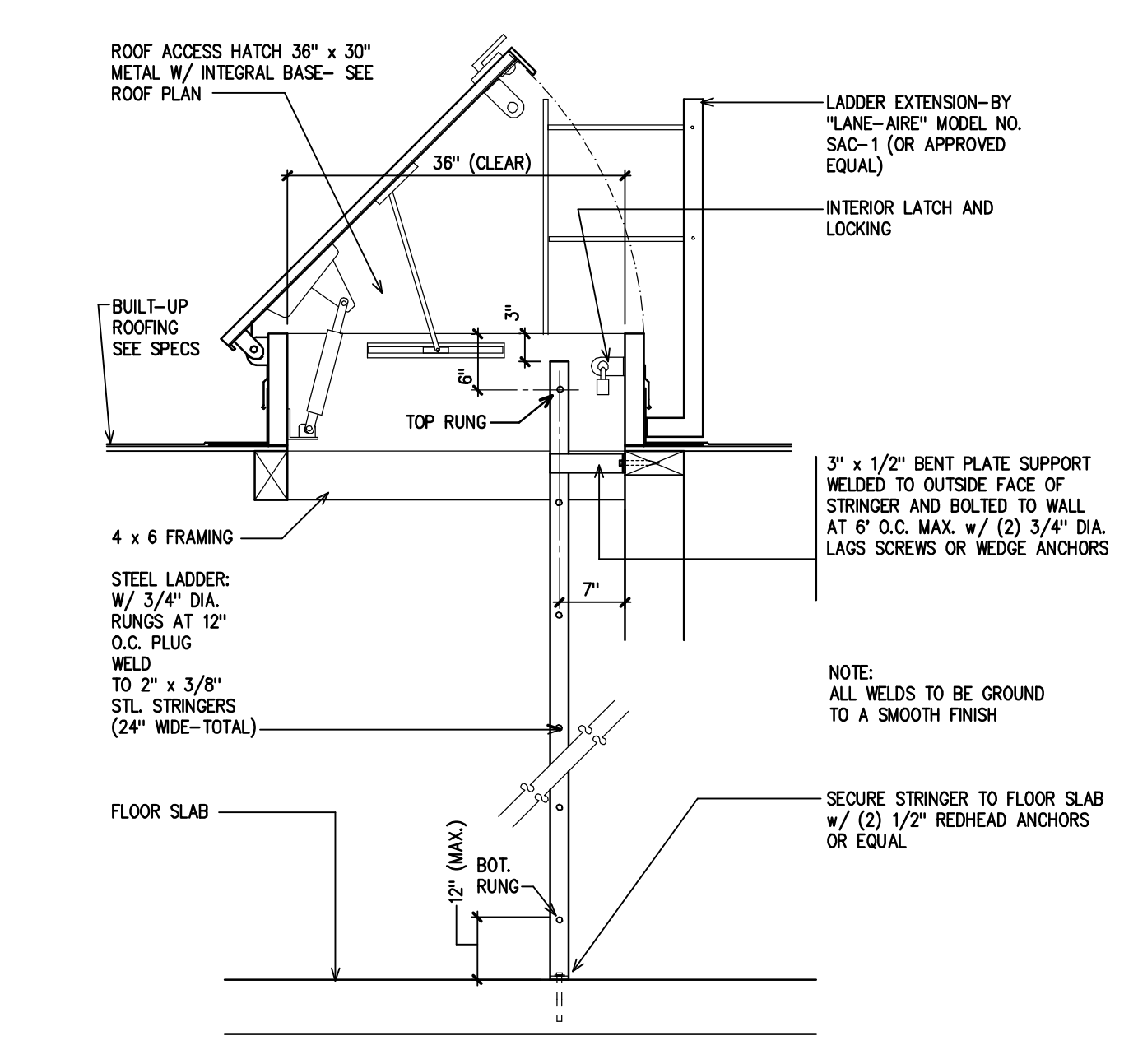
ROOF DRAIN & OVERFLOW SCUPPER 1



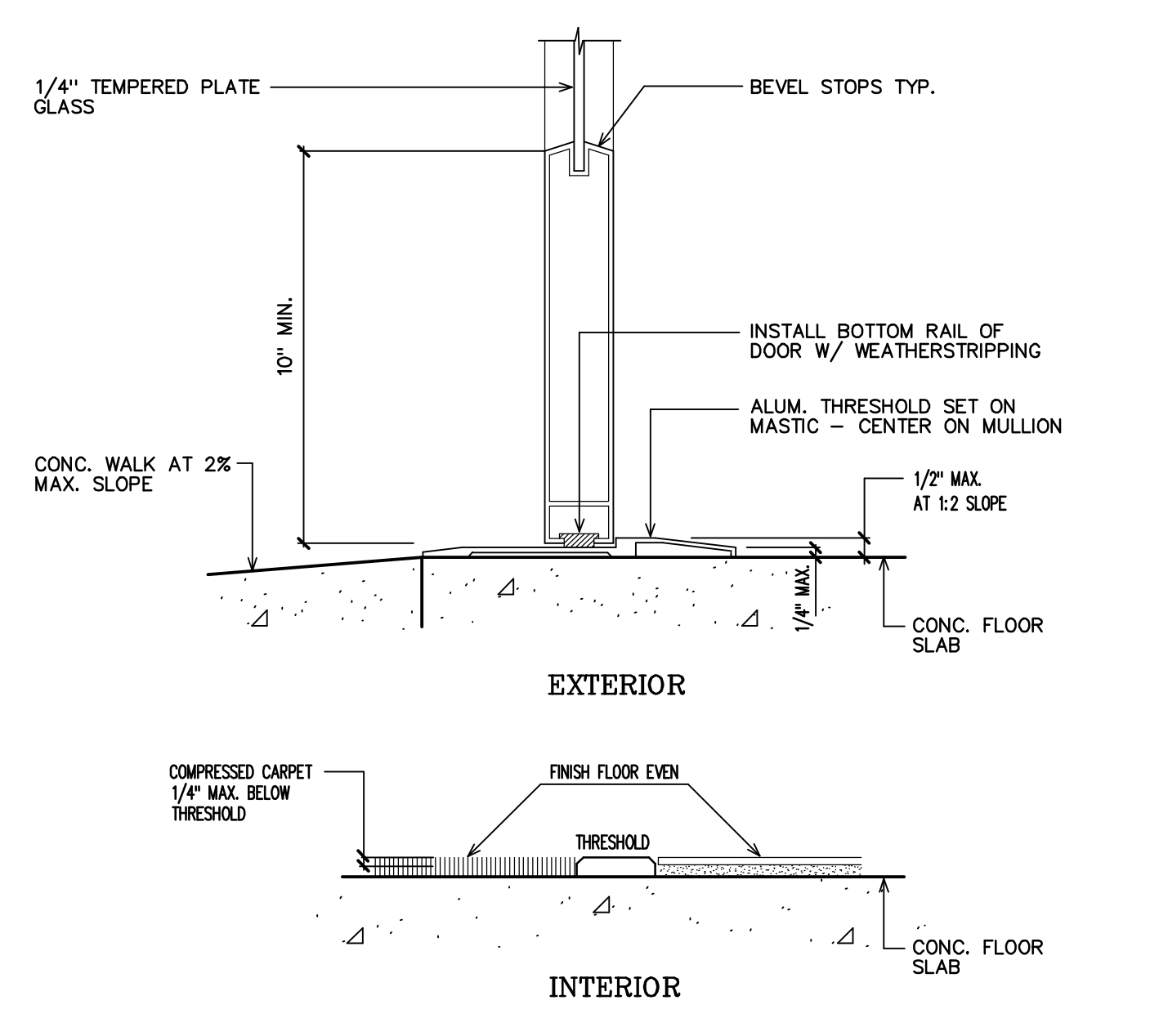
BUILT-UP CAP SHEET CRICKET DETAIL 4



CORNICE AT TOP OF PARAPET 8



ROOF ACCESS LADDER/HATCH 2



THRESHOLD DETAIL 11

9

6

3

10

7

4

11

8

5