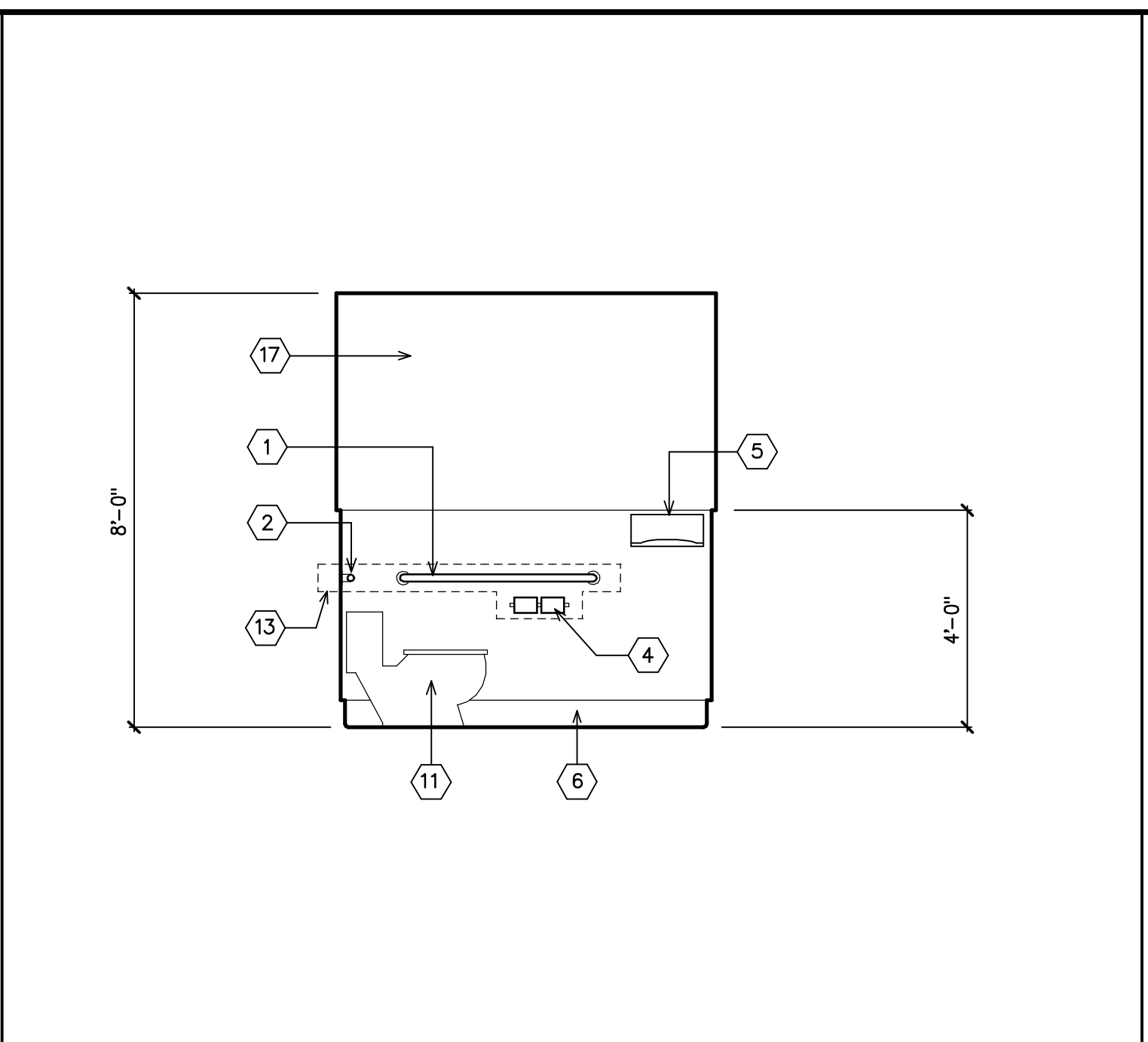


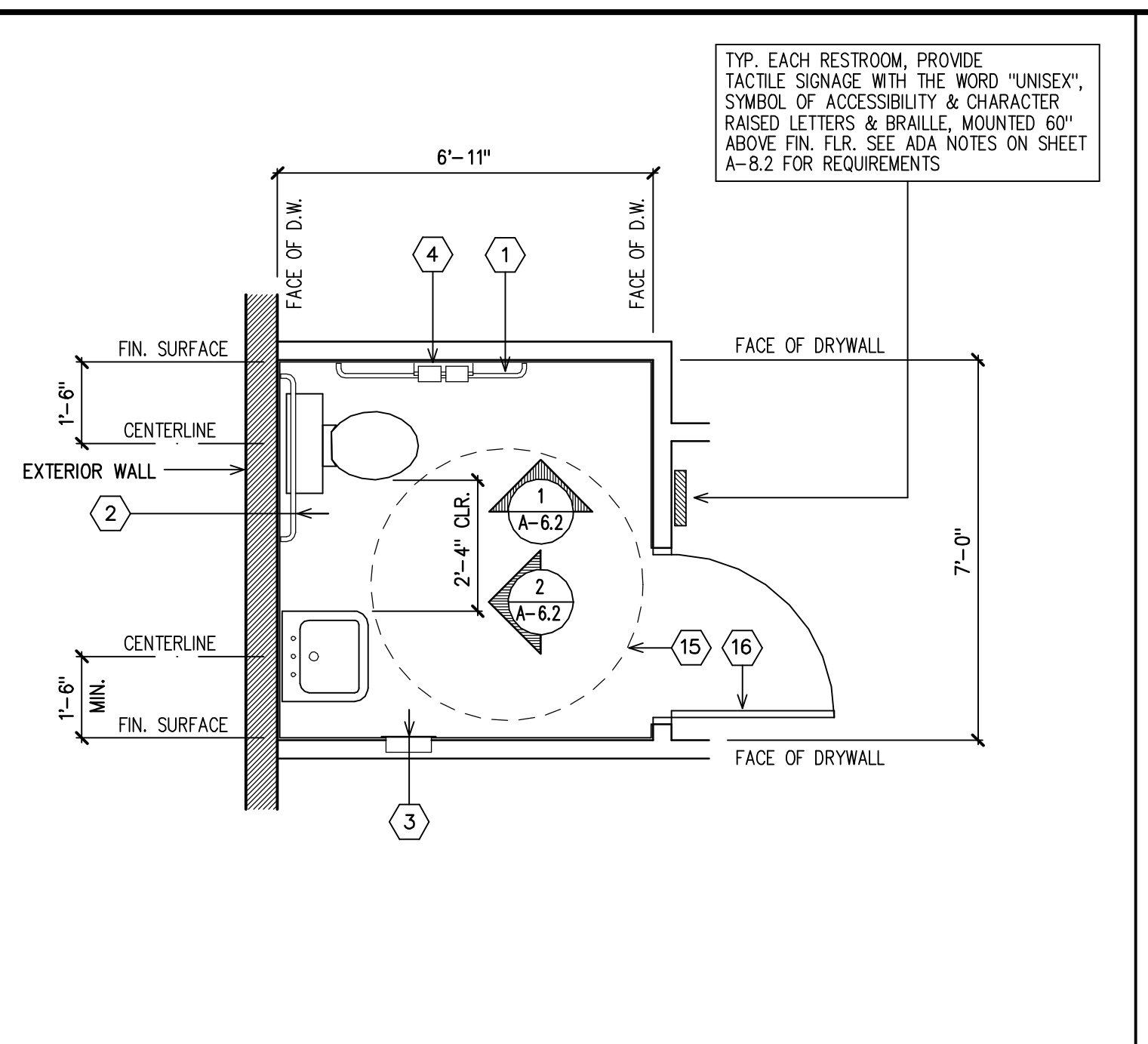
COFFEE BAR ELEVATION - SUITE B

4



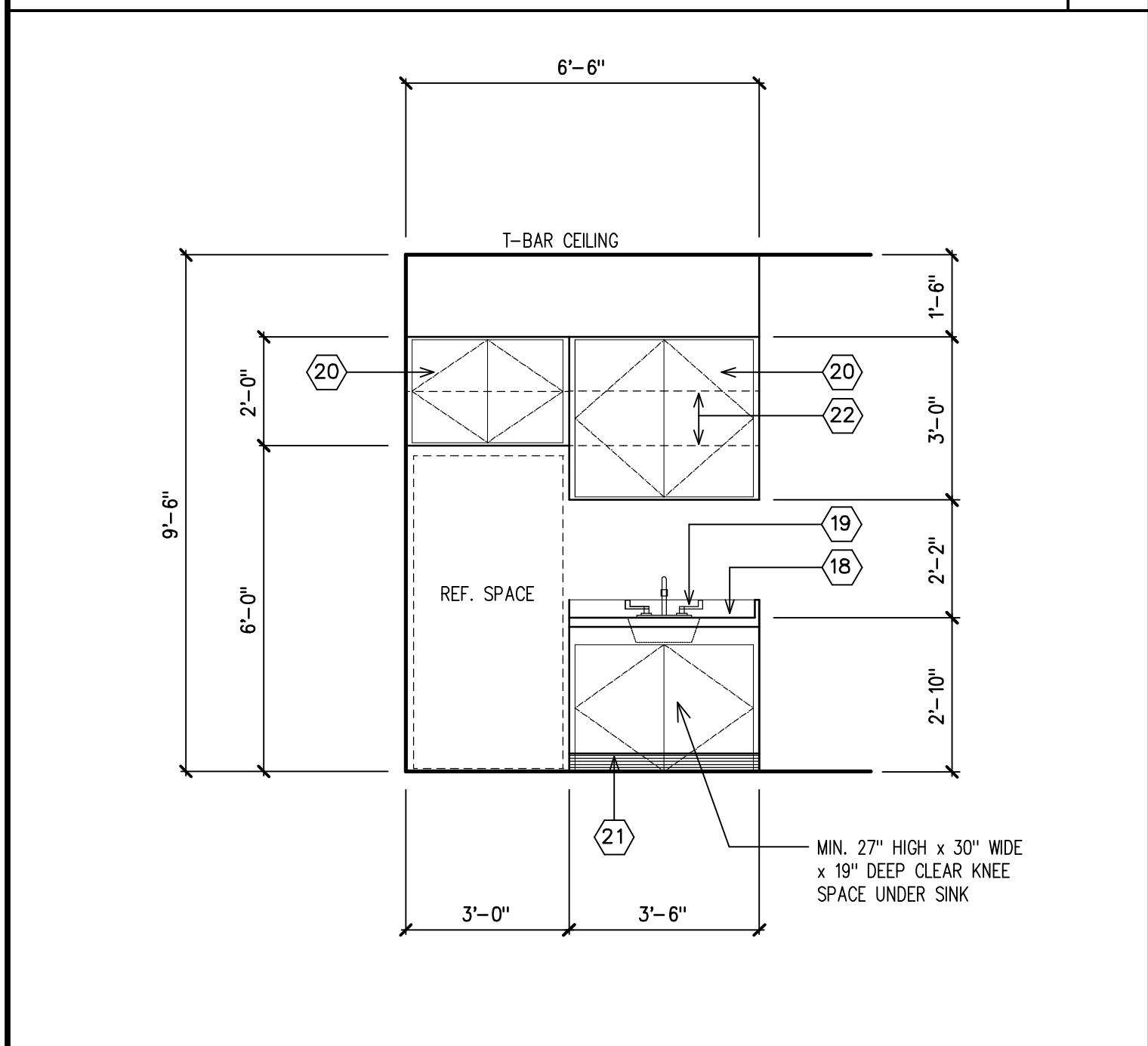
RESTROOM ELEVATION

1



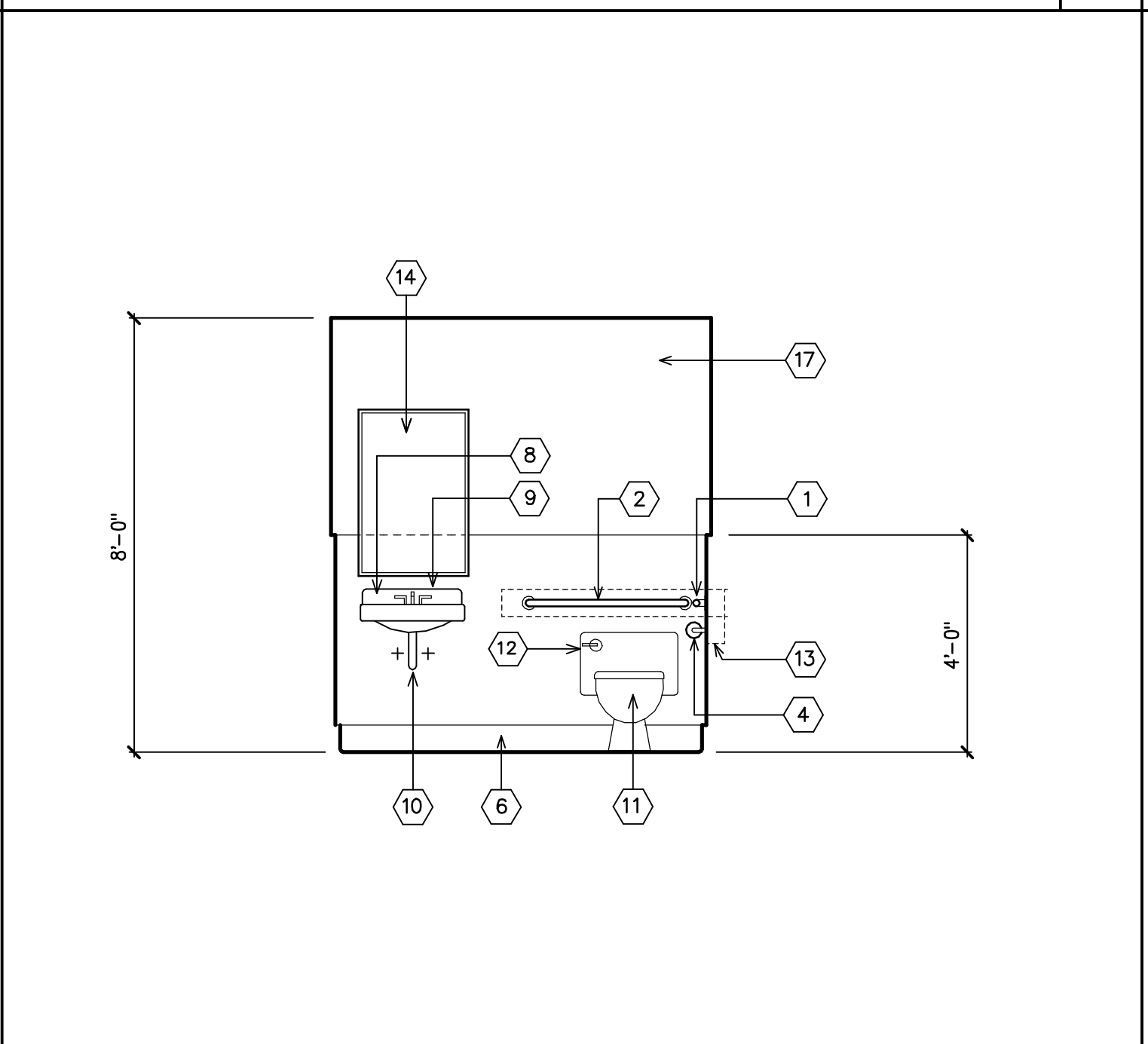
STAFF RESTROOM SUITE A

A



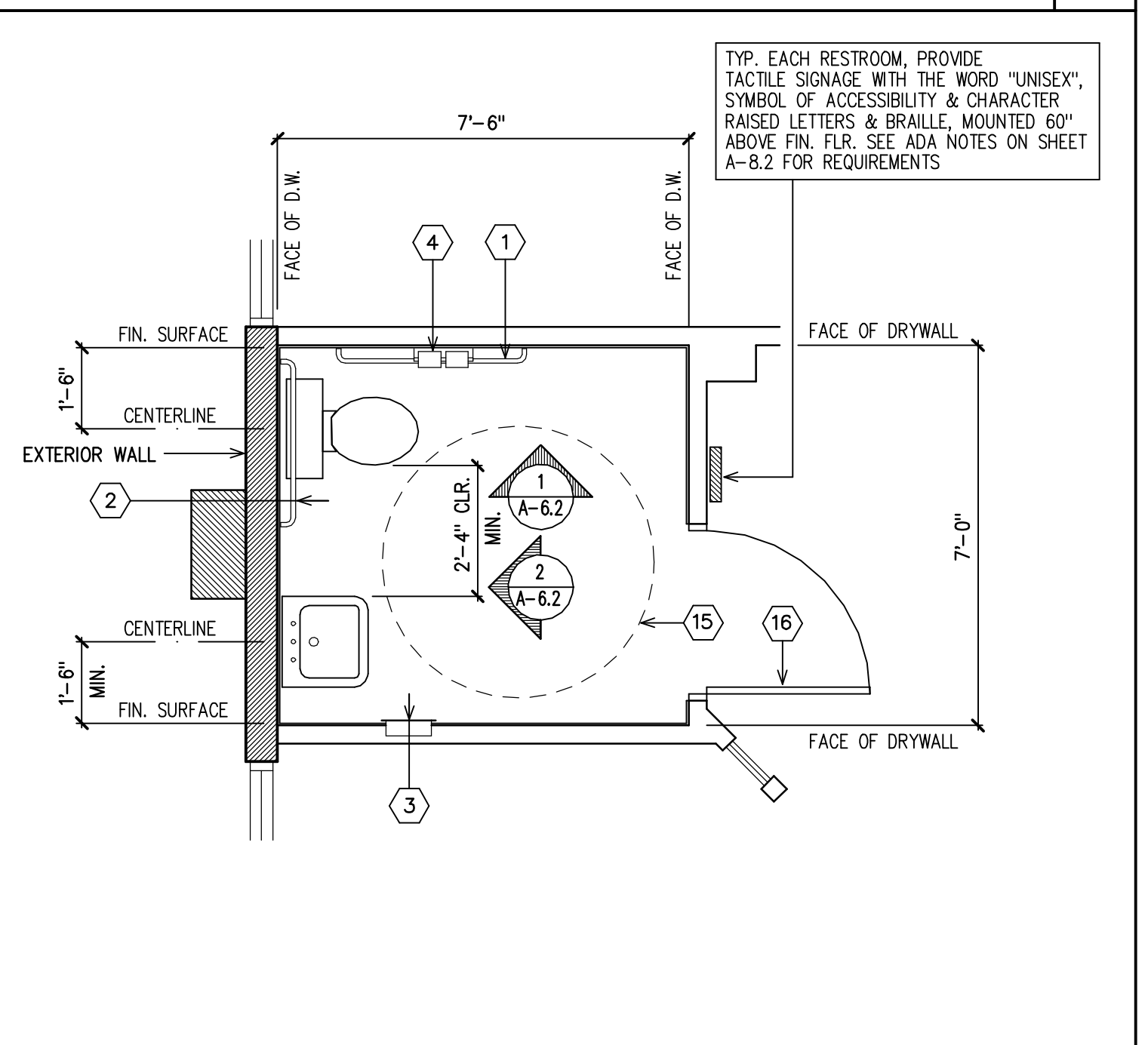
COFFEE BAR ELEVATION - SUITE A

5



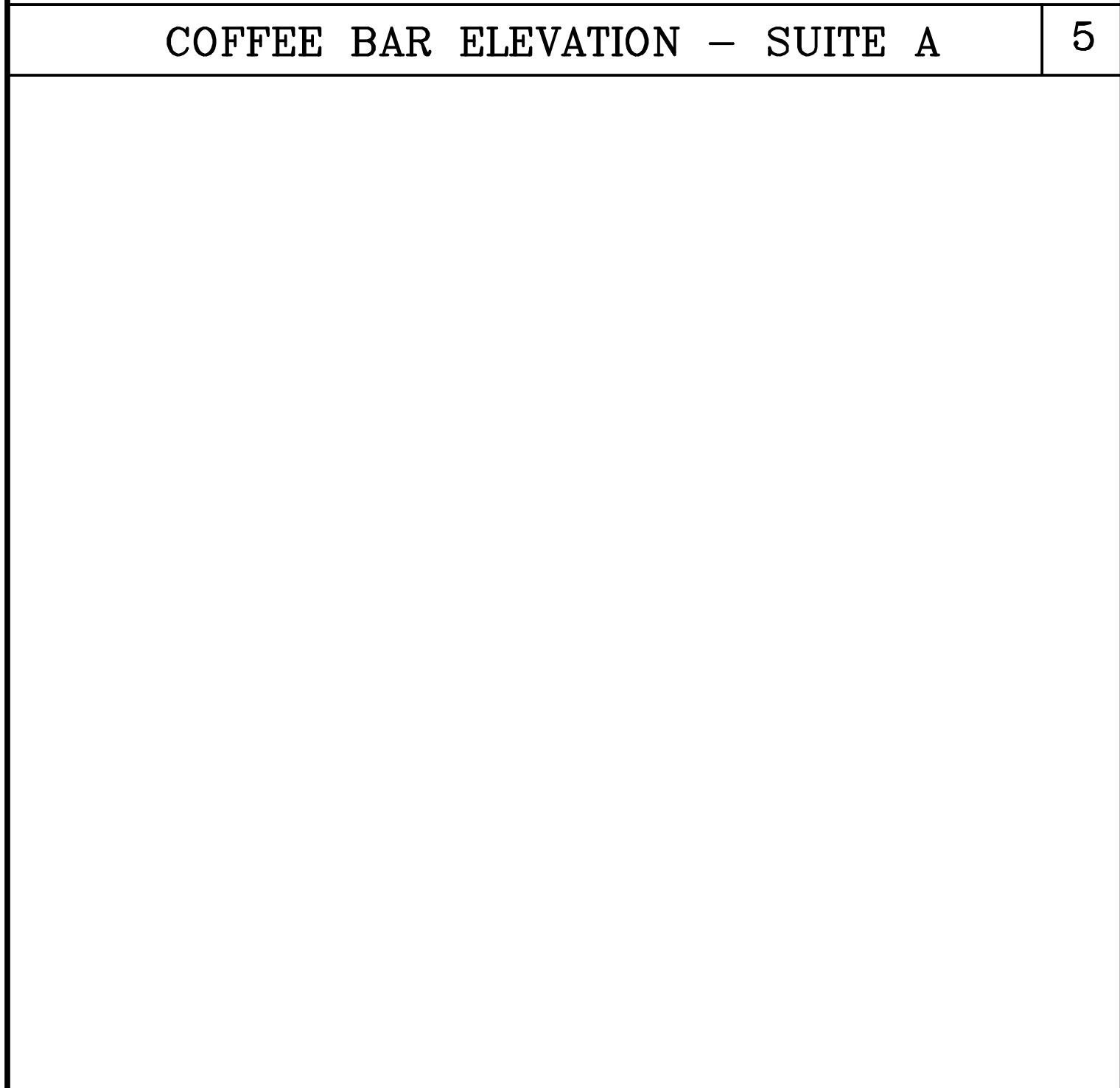
RESTROOM ELEVATION

2



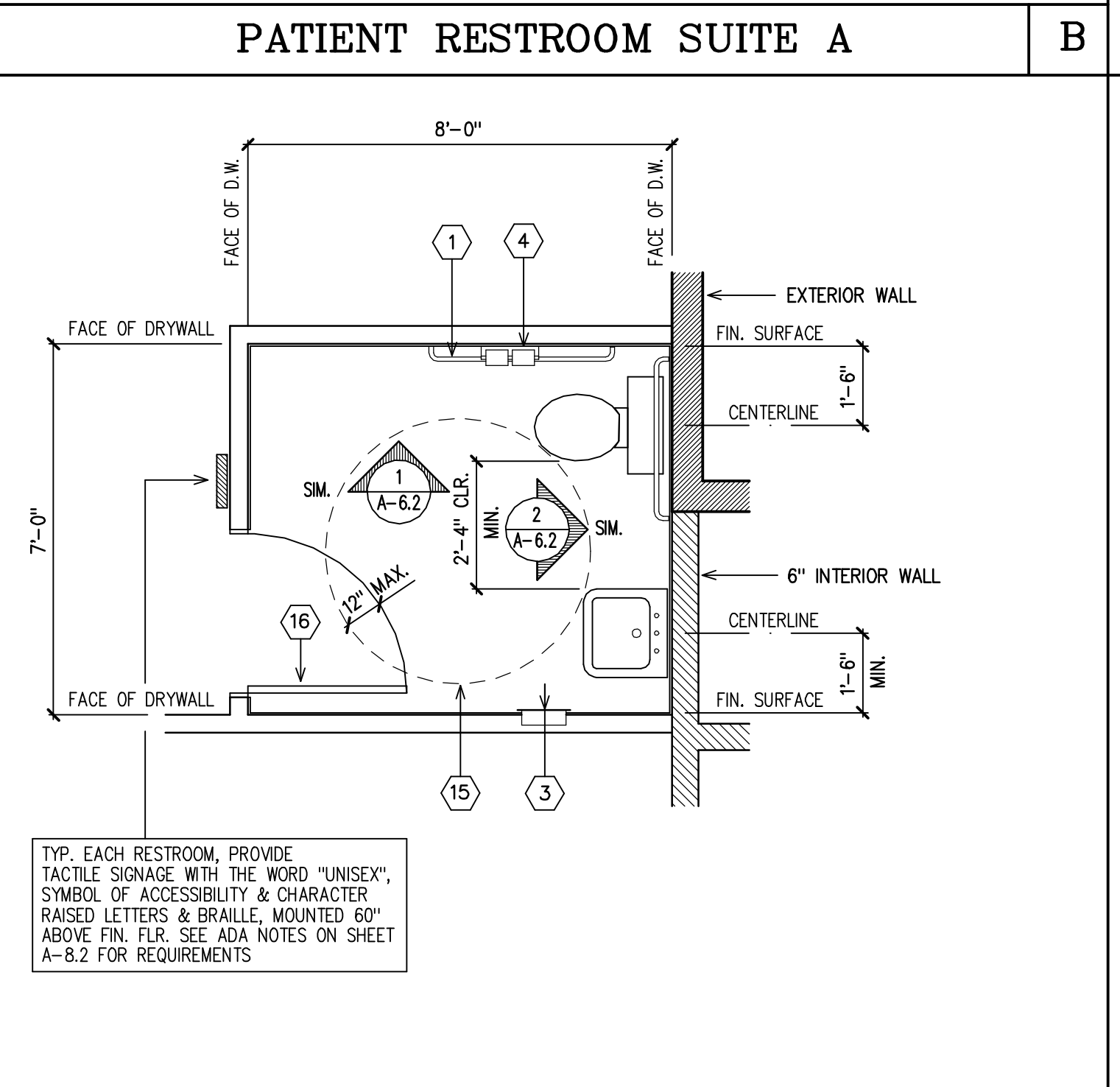
PATIENT RESTROOM SUITE A

B



BUSINESS OFFICE KNEEWALL & SOFFIT

3



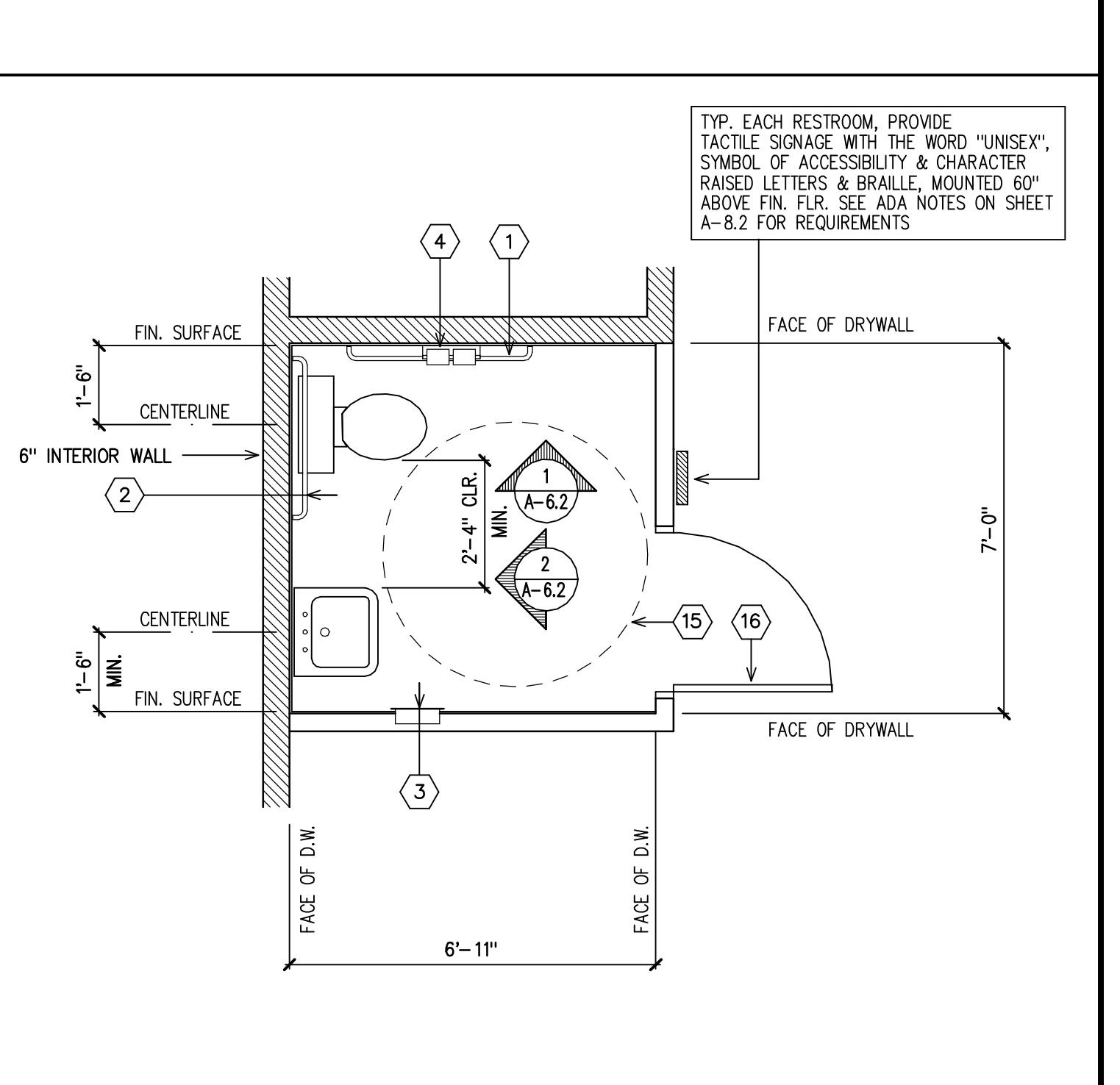
STAFF RESTROOM SUITE B

C

- ### RESTROOM NOTES
- 1 1 1/2" Ø X 42" LONG GRAB BAR 1 1/2" CLEAR FROM WALL PER FIGURE 11B-1A ON A-8.1 "BOBRICK" B-490 X 42 SATIN FINISH STAINLESS STEEL
  - 2 1 1/2" Ø X 36" LONG GRAB BAR 1 1/2" CLEAR FROM WALL PER FIGURE 11B-1A ON A-8.1 "BOBRICK" B-490 X 36 SATIN FINISH STAINLESS STEEL
  - 3 RECESSED PAPER TOWEL DISPENSER & WASTE RECEPTICAL "BOBRICK" B-4369 SATIN FINISH STAINLESS STEEL
  - 4 SURFACE MOUNTED DBL. ROLL TOILET PAPER HOLDER WITHOUT STOPS "BOBRICK" B-2740 SATIN FINISH
  - 5 SURFACE MOUNTED TOILET SEAT COVER DISPENSER MOUNTED 40" A.F.F. MAX. "BOBRICK" B-221 SATIN FINISH
  - 6 NON ABSORBENT FLOORING w/ 6" HIGH BASE - SEE FINISH SCHEDULE
  - 7 48" WAINSCOT OVER WATER RESISTANT GYP. BRD. - SEE FINISH SCHEDULE
  - 8 WALL MOUNTED LAVATORY - SEE PLUMBING PLANS
  - 9 LEVER TYPE FAUCET - SEE PLUMBING PLANS
  - 10 INSULATE HOT WATER PIPE & DRAIN LINE
  - 11 TANK TYPE TOILET - SEE PLUMBING PLANS
  - 12 FLUSH HANDLE ON CLEAR SIDE OF TOILET
  - 13 PROVIDE SOLID BACKING FOR ALL WALL HUNG ITEMS
  - 14 POLISHED PLATE GLASS MIRROR
  - 15 60" DIA. CLEAR CIRCLE
  - 16 3'-0" WIDE DOOR w/ HANDICAP SIGNAGE
  - 17 TEXTURED DRYWALL w/ SEMI-GLOSS PAINT - SEE FINISH SCHEDULE
  - 18 LAMINATED PLASTIC COUNTER TOP & 4" SPLASH 2'-10" HIGH MAX.
  - 19 STAINLESS STEEL SINK w/ LEVER TYPE FAUCET - SEE PLUMBING PLANS
  - 20 LAMINATED PLASTIC CABINETS
  - 21 LAMINATED PLASTIC CABINETS DOORS w/ INTEGRAL TOE SPACE
  - 22 ADJUSTABLE MELAMINE SHELVES
  - 23 DRAWER
  - 24 FALSE PANEL
  - 25 4" TOE SPACE
  - 26
  - 27

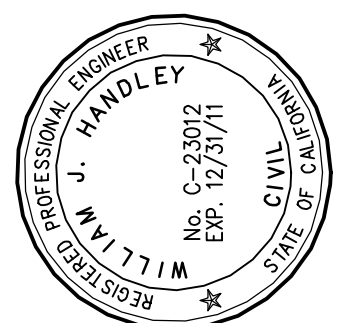
RESTROOM SUITE C

D



NO.	REVISION	BY	DATE

**HANDLEY ENGINEERING**  
 130 EL CAMINO REAL TUSTIN CA 92780  
 SUITE 200 (714) 669-1141



NEW PROFESSIONAL OFFICE FOR:  
**JAMES HOCH, D.D.S.**  
 32246 CLINTON KEITH ROAD, WILDOMAR, CA 92595

DATE:	11/28/11
JOB NO:	11-23
DRAWN:	WJH
CHECKED:	WJH
SCALE:	3/8"=1'-0"
SHEET	A-6.2

OF SHEETS