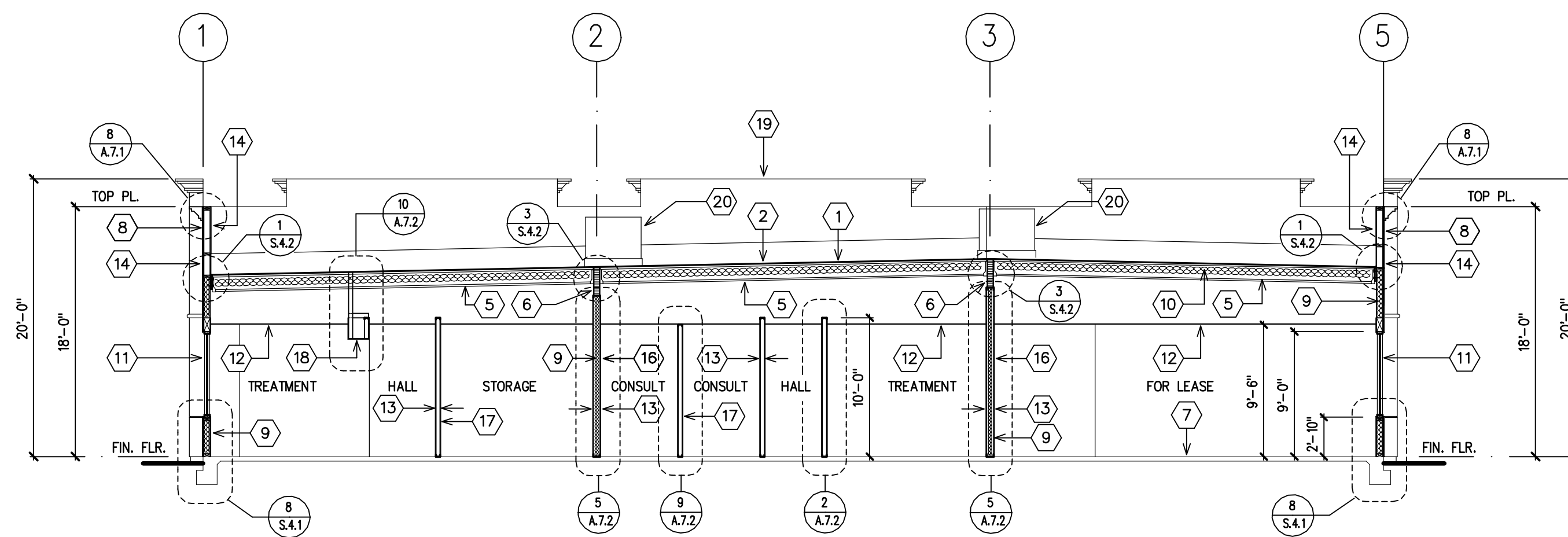
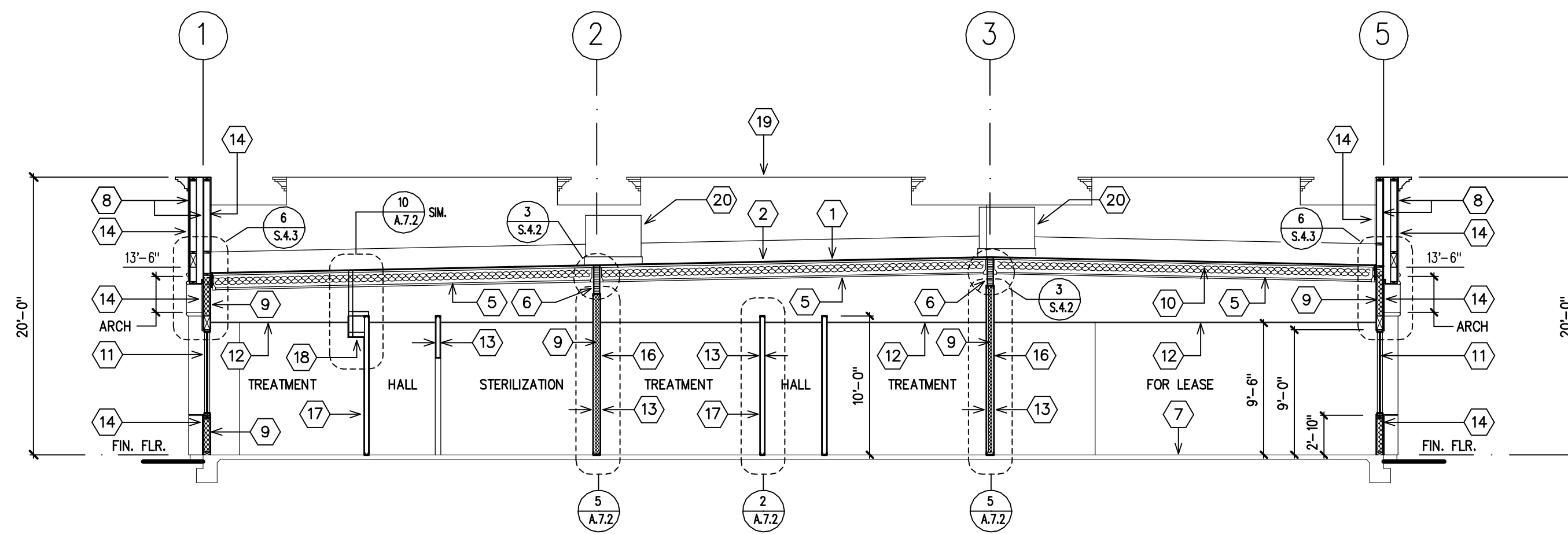


SECTION A-A



SECTION B-B



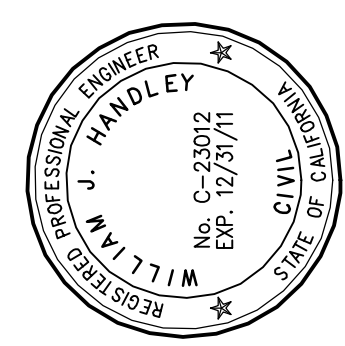
SECTION C-C

CROSS SECTION NOTES

- 1 CLASS "A" BUILT-UP ROOFING, SEE SPECS.
- 2 15/32" STR. 1 ROOF SHEATHING, SEE FRAMING PLAN
- 3 TILE ROOFING, SEE EXTERIOR ELEVATIONS
- 4 4 x 6 RAFTERS AT 24" O.C., SEE FRAMING PLAN
- 5 1" JOIST RAFTERS, SEE FRAMING PLAN
- 6 GLU-LAM BEAM, SEE FRAMING PLAN
- 7 CONCRETE FLOOR SLAB, SEE FOUNDATION PLAN
- 8 2 x 6 WOOD STUDS AT 16" O.C. U.N.O.
- 9 R-13 INSULATION AT INTERIOR WALLS AS SHOWN  
R-19 INSULATION AT EXTERIOR WALLS AS SHOWN
- 10 R-30 FIBERGLASS INSULATION AT THE ROOF, AS SHOWN
- 11 STOREFRONT GLAZING, SEE EXTERIOR ELEVATIONS
- 12 SUSPENDED T-BAR CEILING, SEE REFLECTED CEILING PLAN
- 13 5/8" TYPE "X" DRYWALL, TYP. U.N.O.
- 14 7/8" STUCCO OVER LATH & MOISTURE BARRIER
- 15 CULTURED STONE VENEER OVER LATH & MOISTURE BARRIER
- 16 6" METAL STUD PARTITION, SEE FLOOR PLAN
- 17 3 5/8" METAL STUD PARTITION, SEE FLOOR PLAN
- 18 DRYWALL SOFFIT, SEE REFLECTED CEILING PLAN
- 19 LINE OF PARAPET BEYOND, SEE EXTERIOR ELEVATIONS
- 20 ROOF TOP HVAC UNITS, SEE ROOF PLAN & MECHANICAL PLANS
- 21 1/2" D.W. CEILING o/ 3 5/8" STEEL CLG. JOISTS AT 16" O.C.
- 22 26 GA. STEEL STUD "HANGERS" AT 4'-0" O.C. EVERY 6'-0"
- 23 26 GA. STEEL STUD "PURLINS" AT 6'-0" O.C.

NO.	REVISION	BY	DATE

**HANDLEY ENGINEERING**  
 130 EL CAMINO REAL TUSTIN, CA 92780  
 SUITE 200 (714) 669-1141



NEW PROFESSIONAL OFFICE FOR:  
**JAMES HOCH, D.D.S.**  
 32246 CLINTON KEITH ROAD, WILDOMAR, CA 92595

DATE:	11/28/11
JOB NO:	11-23
DRAWN:	WJH
CHECKED:	WJH
SCALE:	1/8"=1'-0"
SHEET	

**A-5.1**  
OF SHEETS